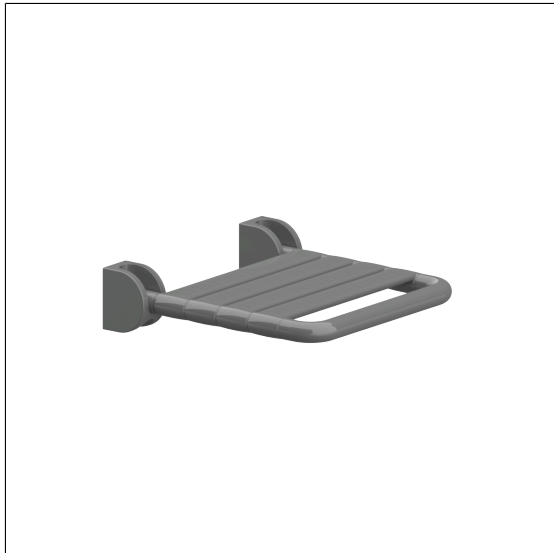


Care Solutions · Nylon Care 400

Nylon Care 400 Lift-up shower seat

Article number: 0841010018

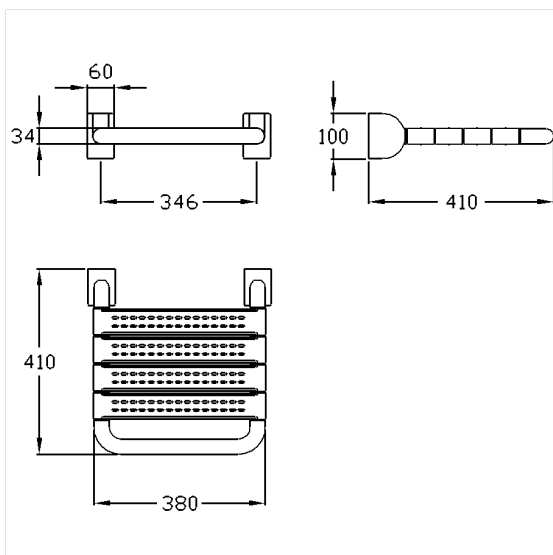
Product image



Technical specifications

Product group	2000
Product	Lift-up shower seat
Length	406 mm
Height	100 mm
Width	410 mm
Material	polyamide
Surface	high-gloss with textured surface
Colour	available in nylon colours
Loading	max. 175 kgs

Technical drawing



Product description

- Nylon Care - a well-trying and proven product family with a wide range of variants, three product series suiting many different requirements
- Pad with non-corrosive steel core throughout
- steel reinforced hinges
- with adjustable brake
- locked in place in vertical position
- concealed screw fixing
- In case of lightweight partition walls a backfill made of min. 20mm hardwood is needed
- Fixing set has to be determined according to conditions on site, is to be ordered separately

