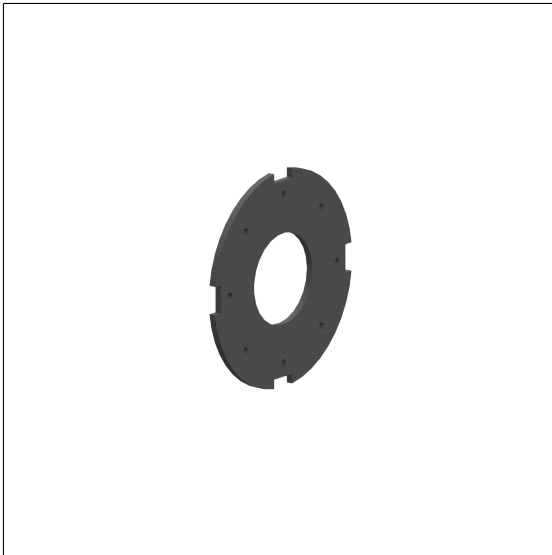


Care Rose Gasket

Article number: 0300901016

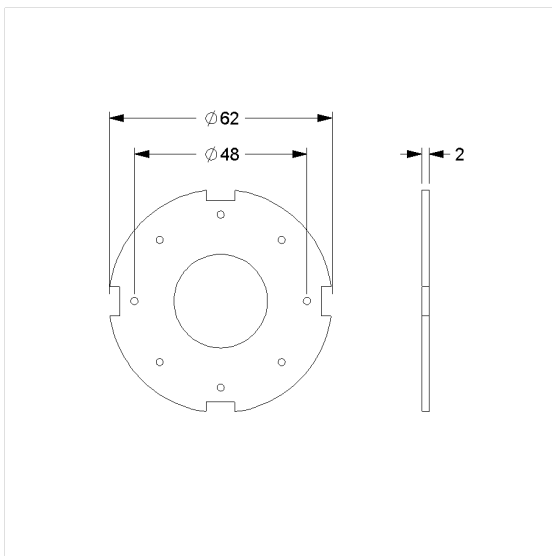
Product image



Technical specifications

Product group	0700
Product	Rose Gasket
Diameter	62 mm
Material	cell rubber EPDM
Colour	Black (016)

Technical drawing



Product description

- Nylon Care - a well-tried and proven product family with a wide range of variants, three product series suiting many different requirements
- self-adhesive, with carrier foil
- sealing of the drilling points according to German standard DIN 18534-1 possible
- can also be used on seams
- can be used with all Nylon Care products with Ø 70mm rose
- packing units of 10 pcs

NEW



016