

# Product data sheet

## Care Solutions · Nylon Care 400

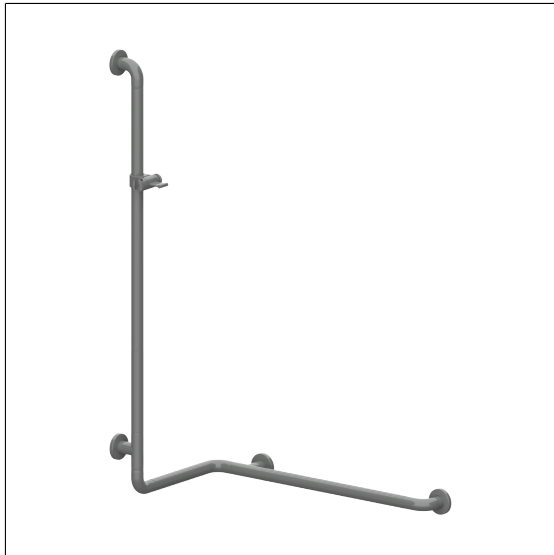
**NORMBAU**

PASSION FOR CARE

Nylon Care 400 Shower handrail,  
with shower head rail

Article number: 0486210018

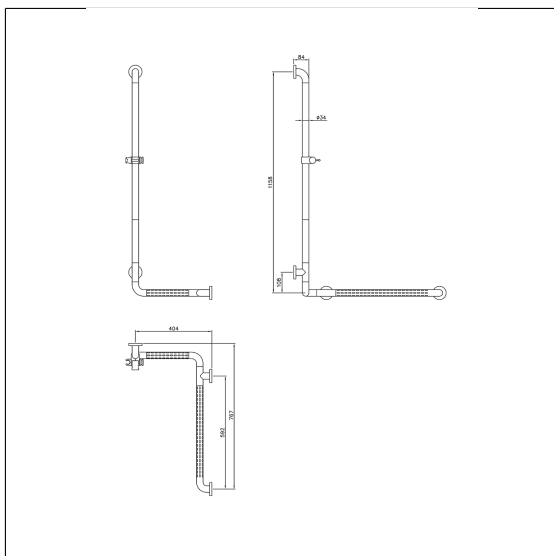
### Product image



### Technical specifications

Product group	2000
Product	Shower handrail, with shower head rail
Angle	90 °
Axle dimension a1	767 mm
Axle dimension a2	404 mm
Axle dimension a3	1158 mm
Fixing type	rosettes mounting
Fixing points	4 Piece
Diameter	34 mm
Material	polyamide
Surface	high-gloss with textured surface for non-slip grip
Colour	available in nylon colours
Version	left and right
Loading	max. 175 kgs

### Technical drawing



### Product description

- Nylon Care - a well-trying and proven product family with a wide range of variants, three product series suiting many different requirements
- with non-corrosive steel core throughout
- Shower head holder with easy adjustment to any height and angle, self-adjusting clamp maintenance-free
- with long operating handle and multi-purpose side hook
- Shower head holder suitable for various hand shower types
- with Rose Gasket for sealing of the drilling points according to German standard DIN 18534-1
- with plastic rose  $\varnothing$  70mm for concealed screw fixing and glass fiber reinforced plastic base
- In case of lightweight partition walls a backfill made of min. 20mm hardwood is needed
- produced in accordance with Regulation (EU) 2017/745 on medical devices
- CE-certified
- meets the requirements of German standard DIN 18040 and Austrian standard ÖNORM B 1600
- supplied with stainless steel Torx screw  $s\varnothing$  6 x 70 mm and plugs

