

Product data sheet

Care Solutions · Nylon Care 400

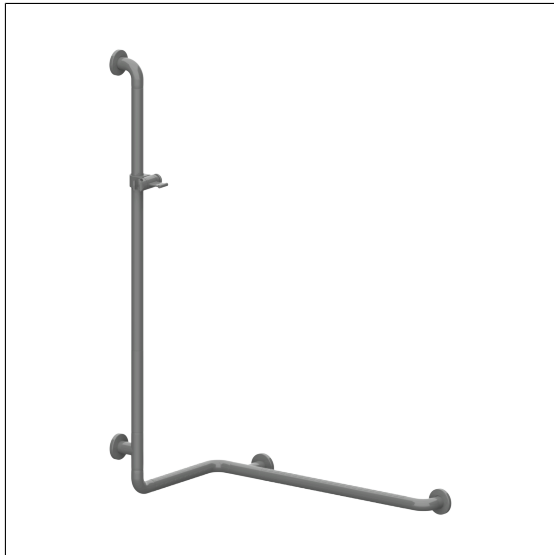
NORMBAU

PASSION FOR CARE

Nylon Care 400 Shower handrail,
with shower head rail

Article number: **0486210018**

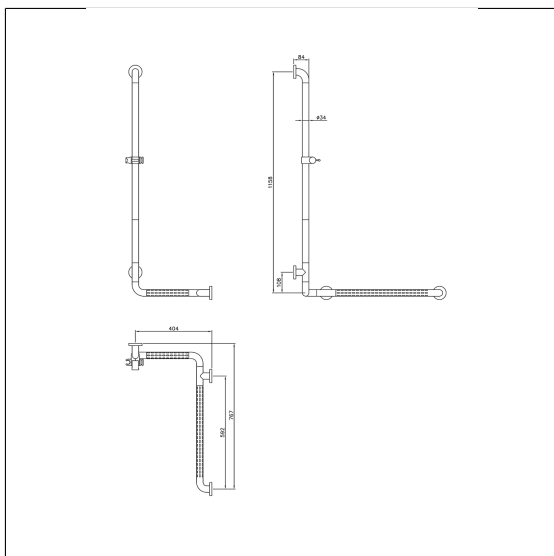
Product image



Technical specifications

Product group	2000
Product	Shower handrail, with shower head rail
Axle dimension a1	767 mm
Axle dimension a2	404 mm
Axle dimension a3	1158 mm
Fixing type	rosettes mounting
Fixing points	5 Piece
Diameter	34 mm
Material	polyamide
Surface	high gloss
Colour	available in nylon colours
Version	left and right
Loading	max. 175 kgs

Technical drawing



Product description

- Nylon Care - a well-trying and proven product family with a wide range of variants, three product series suiting many different requirements
- with non-corrosive steel core throughout
- Shower head holder with easy adjustment to any height and angle, self-adjusting clamp maintenance-free
- with long operating lever and multi-purpose side hook
- Shower head holder suitable for various hand shower types
- with Rose Gasket for sealing of the drilling points according to German standard DIN 18534-1
- with plastic rose \varnothing 70mm for concealed screw fixing and glass fiber reinforced plastic base
- In case of lightweight partition walls a backfill made of min. 20mm hardwood is needed
- CE-certified
- meets the requirements of German standard DIN 18040 and Austrian standard ÖNORM B 1600
- supplied with stainless steel Torx screw $s\varnothing$ 6 x 70 mm and plugs

