

Care Solutions · Cavere Care Accessories

Cavere Care Hook

Article number: 7500100095

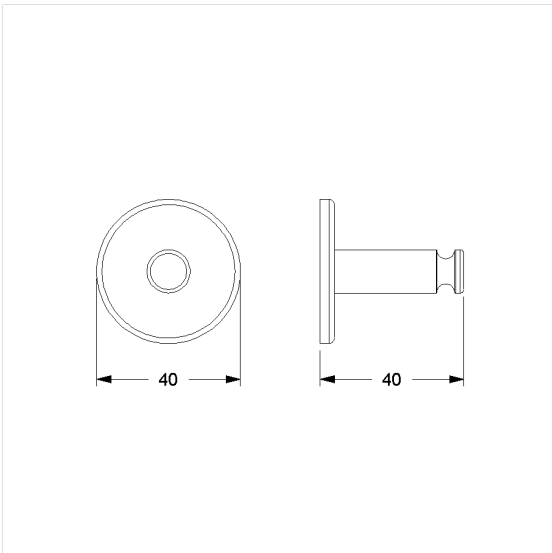
Product image



Technical specifications

| | |
|---------------|--|
| Product group | 7010 |
| Product | Hook |
| Length | 40 mm |
| Width | 40 mm |
| Height | 40 mm |
| Material | stainless steel, material No. 1.4301 (A2, AISI 304) |
| Surface | scratch-resistant powder coating with antibacterial protection (except 091 Carbon black) |
| Colour | available in Cavere colours |

Technical drawing



Product description

- Cavere Care as an award-winning product family with excellent design for all requirements
- for hanging utensils
- for wall mounting
- concealed screw fixing
- supplied with fixing material



Antibac



091 092 093 095 096