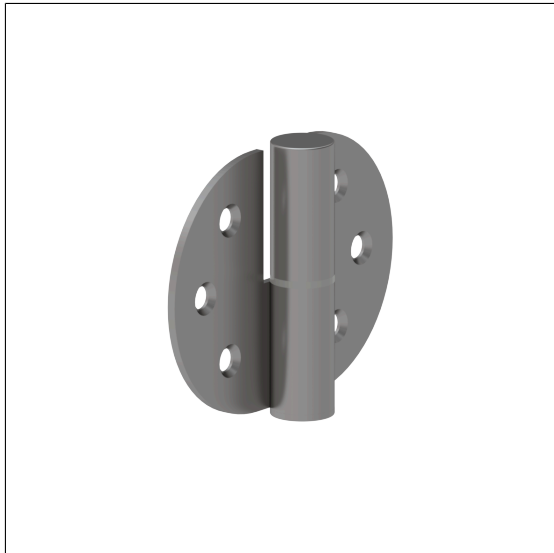


Inox Door hinge

Article number: 2290200009

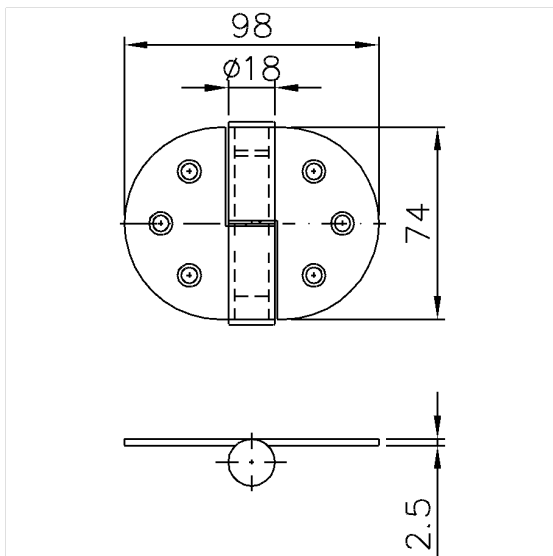
Product image



Technical specifications

Product group	6600
Product	Door hinge
Short name	NT.TB 78
Version	DIN left
Length	100 mm
Width	20 mm
Height	75 mm
Material	stainless steel, material No. 1.4401 (A4, AISI 316)
Surface	brushed finish
Colour	Stainless steel (009)

Technical drawing



Product description

- Design partition solutions for doors and partitions made of HPL board material
- Sticker L or R on back
- visible screw connection, can be covered with cover 2290190
- Mounting Recommendation: 2 door hinges for door weight up to 40 kg 3 door hinges for door weight up to 60 kg
- Supplied without fixing material



009