

Care Solutions · Cavere Care Chrome Accessories

Cavere Care Chrome Holder for hair-dryer

Article number: 9400420300

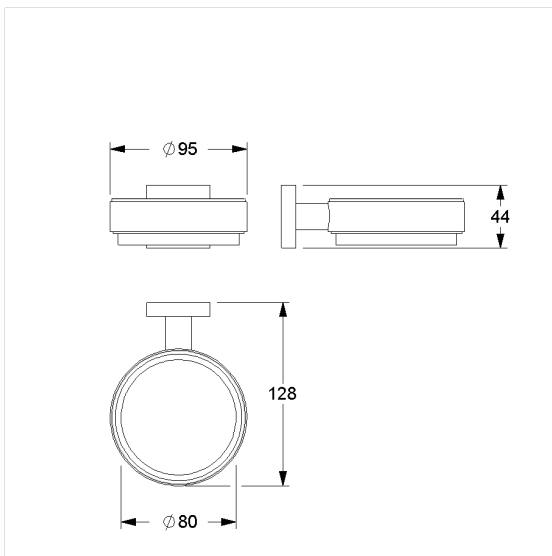
Product image



Technical specifications

Product group	7030
Product	Holder for hair-dryer
Length	130 mm
Width	100 mm
Height	44 mm
Material	brass
Surface	chrome finish
Colour	Cavere Chrome (300)

Technical drawing



Product description

- Cavere Care as an award-winning product family with excellent design for all requirements
- for hanging up of common hair-dryers
- for wall mounting
- concealed screw fixing
- supplied with fixing material



300