

Care Solutions · Cavere Care

Cavere Care Ceiling support

Article number: 7382050095

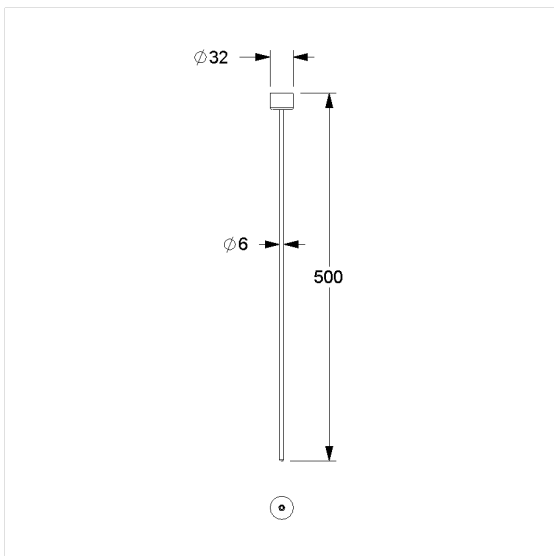
Product image



Technical specifications

Product group	7010
Product	Ceiling support
Length	500 mm
Material	aluminium
Surface	scratch-resistant powder coating with antibacterial protection (except 091 Carbon black)
Colour	available in Cavere colours

Technical drawing



Product description

- Cavere Care as an award-winning product family with excellent design for all requirements
- for Cavere Care Shower curtain rails
- can be shortened (length)
- for fixing on connection thread of the shower curtain rail
- ceiling support with axial fixing screw
- In case of lightweight partition walls a backfill made of min. 20mm hardwood is needed
- Ceiling support for suspended ceiling upon request
- supplied with stainless steel Torx screw $s\varnothing 6 \times 70$ mm and plugs



Antibac

