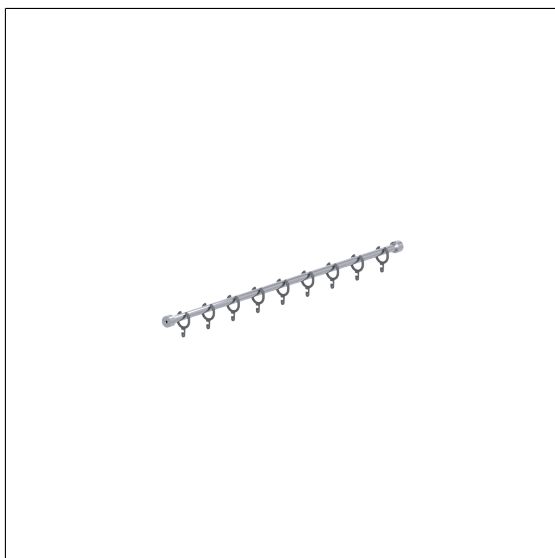


Care Solutions · Cavere Care Chrome

Cavere Care Chrome Shower curtain rail,
with curtain rings

Article number: 9382220395

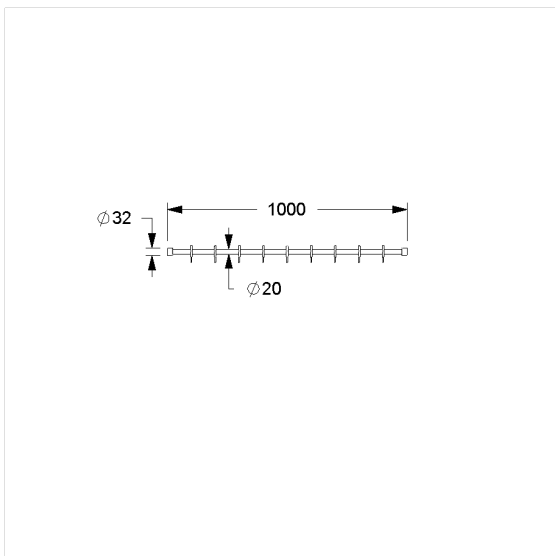
Product image



Technical specifications

Product group	7010
Product	Shower curtain rail, with curtain rings
Form	I-shaped
Length	1000 mm
Material	aluminium, curtain rings made of polyamide
Surface	chrome finish
Diameter	20 mm
Colour	available in colours Chrome white (392) and Chrome metallic anthracite (395)

Technical drawing



Product description

- Cavere Care as an award-winning product family with excellent design for all requirements
- Connection thread for ceiling support available upon request
- Nylon curtain rings corresponding to the chosen Cavere Care Chrome colour tone:
 - 392 - White (019)
 - 395 - Dark Grey (018)
- Wall connection with axial fixing screw
- In case of lightweight partition walls a backfill made of min. 20mm hardwood is needed
- expandable with Care shower curtains
- supplied with stainless steel Torx screw $s\varnothing$ 6 x 70 mm and plugs



392 395