

Care Solutions · Cavere Care

Cavere Care Backrest

Article number: 7841333095

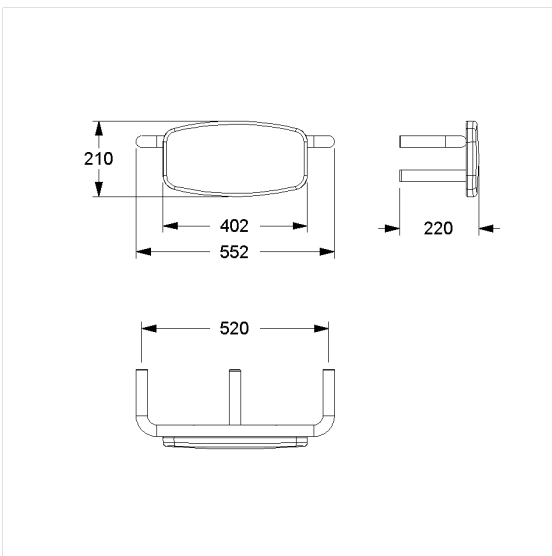
Product image



Technical specifications

Product group	7000
Product	Backrest
Length	550 mm
Width	235 mm
Height	210 mm
Diameter	32 mm
Material	stainless steel, material No. 1.4301 (A2, AISI 304), padded made of PUR integral foam
Surface	scratch-resistant powder coating with antibacterial protection (except 091 Carbon black)
Colour	available in Cavere colours, padded, colour light grey

Technical drawing



Product description

- Cavere Care as an award-winning product family with excellent design for all requirements
- concealed screw fixing
- supplied with suitable fixing material for front-wall installation



Antibac

