

Care Solutions · Cavere Care

Cavere Care Hanging seat

Article number: 7847451095

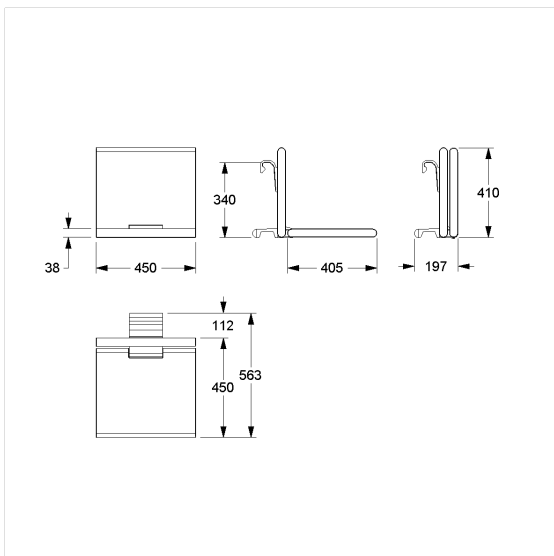
Product image



Technical specifications

Product group	7000
Product	Hanging seat
Length	450 mm
Height	406 mm
Width	563 mm
Material	aluminium, padded made of PUR integral foam
Surface	scratch-resistant powder coating with antibacterial protection (except 091 Carbon black)
Colour	available in Cavere colours, padded colour anthracite
Loading	max. 150 kgs

Technical drawing



Product description

- Cavere Care as an award-winning product family with excellent design for all requirements
- for hanging in Cavere Care Shower handrails
- with adjustable brake
- locked in place in vertical position
- Pad with non-corrosive metal core throughout,
- for top edge of shower handrail 770-800mm
- retrofittable with armrest 7843100



Antibac



091 092 093 095 096