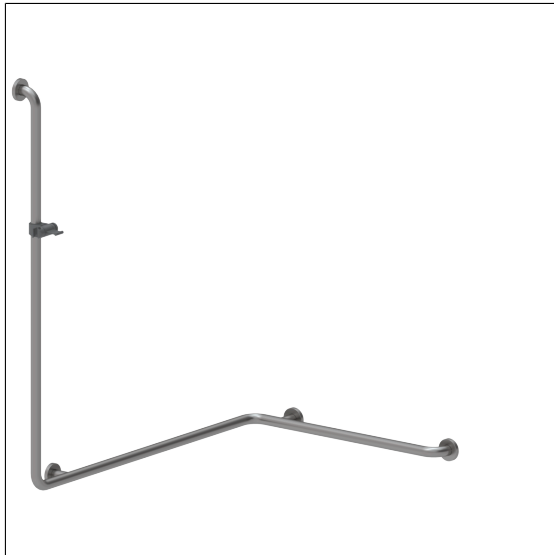


Inox Care Shower handrail,
with shower head rail

Article number: 2061240009

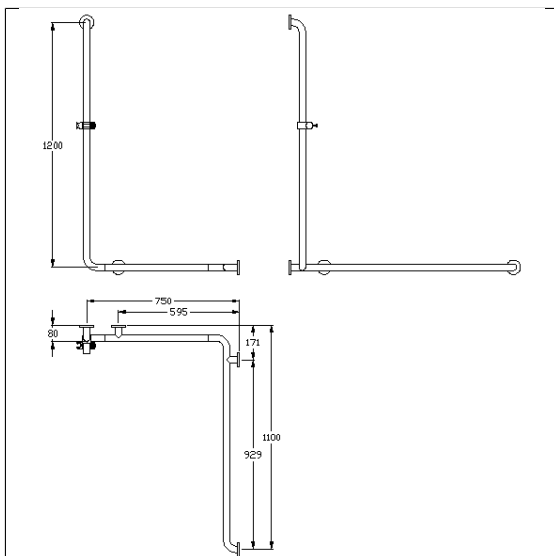
Product image



Technical specifications

Product group	5500
Product	Shower handrail, with shower head rail
Axle dimension a1	1100 mm
Axle dimension a2	750 mm
Axle dimension a3	1200 mm
Fixing type	rosettes mounting
Fixing points	4 Piece
Diameter	32 mm
Material	stainless steel, material No. 1.4301 (A2, AISI 304), Shower head holder made of polyamide
Surface	brushed finish
Colour	Stainless steel (009), shower head holder, colour dark grey (018)
Version	left
Loading	max. 175 kgs

Technical drawing



Product description

- Inox Care as a robust and timeless classic with bacteriostatic properties
- Shower head holder with easy adjustment to any height and angle, self-adjusting clamp maintenance-free
- with long operating lever and multi-purpose side hook
- with Rose Gasket for sealing of the drilling points according to German standard DIN 18534-1
- with stainless steel roses \varnothing 70mm for concealed screw fixing
- In case of lightweight partition walls a backfill made of min. 20mm hardwood is needed
- CE-certified
- meets the requirements of German standard DIN 18040 and Austrian standard ÖNORM B 1600
- supplied with stainless steel Torx screw $s\varnothing$ 6 x 70 mm and plugs



009