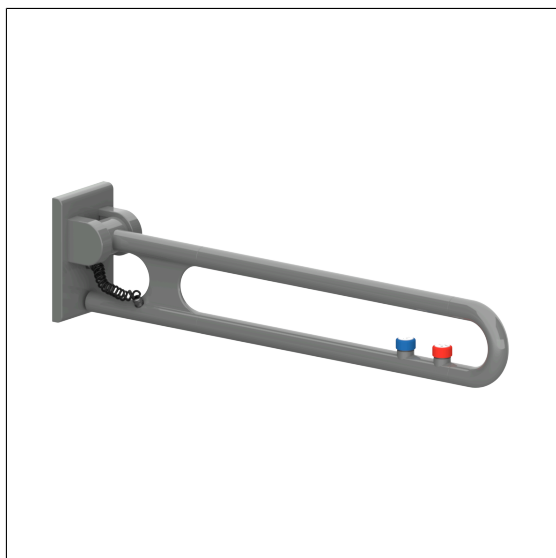


## Care Solutions · Nylon Care 300

Nylon Care 300 Lift-up support rail,  
with 2 E-buttons

Article number: 0311885018

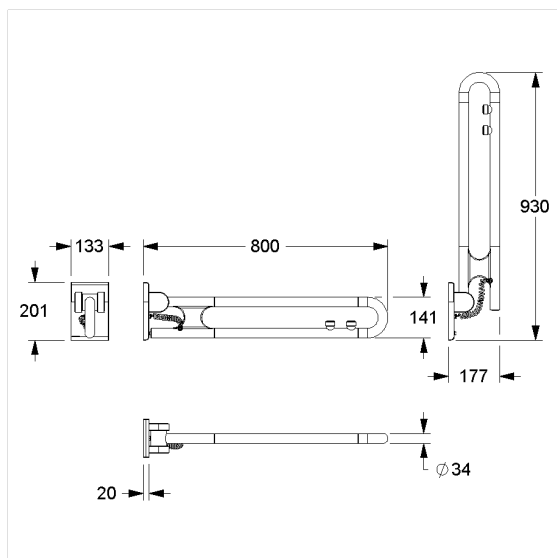
### Product image



### Technical specifications

Product group	0700
Product	Lift-up support rail, with 2 E-buttons
wall connection E-Button	connection covered with mounting plate
Function of electric button	WC and call: NOC and NCC
Length	850 mm
Diameter	34 mm
Material	polyamide
Surface	high gloss
Colour	available in nylon colours
Version	left and right
Loading	max. 100 kgs

### Technical drawing



### Product description

- Nylon Care - a well-trying and proven product family with a wide range of variants, three product series suiting many different requirements
- with adjustable brake
- with durable maintenance-free, friction bearings
- with non-corrosive steel core throughout
- 1 E-Button / 2 E-Buttons  
for WC-flush in blue,  
for call in red,  
for free definable options in black,  
four lead 0,25 mm<sup>2</sup> dia. black helix cable suitable for up to 24 V D.C., and free cable end for wall fastening, E-Button standard configuration »normally open contact« also available in configuration »normally closed contact«
- with steel reinforced mounting plate for three-point fixing and Nylon cover
- concealed screw fixing
- In case of lightweight partition walls a backfill made of min. 20mm hardwood is needed
- retrofitable with Toilet roll holder, optional with antibacterial protection 4300665
- certified by TÜV PRODUCT SERVICE
- load capacity: max. 100kgs according to ISO17966:2016, statically tested up to 150kgs
- produced in accordance with Regulation (EU) 2017/745 on medical devices
- CE-certified
- meets the requirements of German standard DIN 18040 and Austrian standard ÖNORM B 1600
- Fixing set has to be determined according to conditions on site, is to be ordered separately

