

Care Solutions · Inox Care Accessories

Inox Care Towel holder

Article number: 2290281009

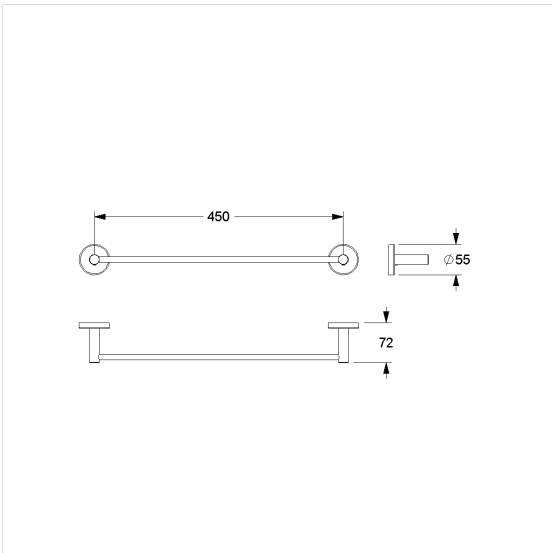
Product image



Technical specifications

Product group	5600
Product	Towel holder
Length	505 mm
Width	75 mm
Height	55 mm
Material	stainless steel, material No. 1.4301 (A2, AISI 304)
Surface	brushed finish
Colour	Stainless steel (009)

Technical drawing



Product description

- Inox Care as a robust and timeless classic with bacteriostatic properties
- for hanging towels
- for wall mounting
- with stainless steel roses $\varnothing 55$ mm for concealed screw fixing
- supplied with fixing material



009