

Care Solutions · Verso Care

Verso Care Lift-up shower seat,
with floor support

Article number: 3500015018

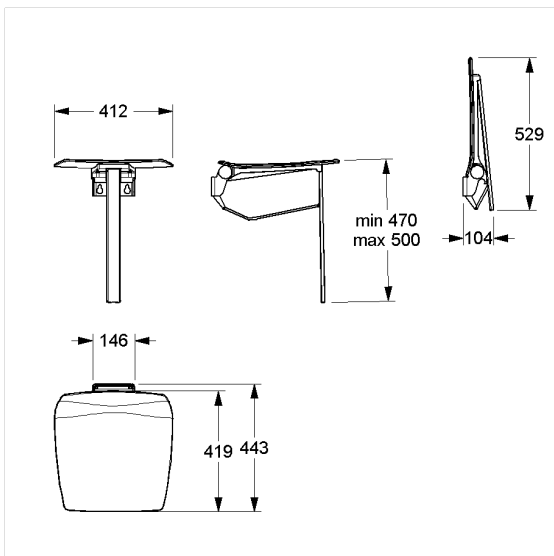
Product image



Technical specifications

Product group	3800
Product	Lift-up shower seat, with floor support
Length	444 mm
Height	500 mm
Width	412 mm
Material	Polypropylene, support bracket made of aluminium and wall bracket made of stainless steel
Surface	scratch-resistant powder coating
Colour	available in Dark grey (018) and White (019)
Loading	max. 150 kgs

Technical drawing



Product description

- Nylon Care - a well-trying and proven product family with a wide range of variants, three product series suiting many different requirements
- ergonomic formed seat with rounded outer edges
- with adjustable brake
- locked in place in vertical position
- for seat height 470-500 mm
- Floor support serves as a support in case of insufficient wall condition, thus the resulting forces on the wall fixing can be reduced
- In case of lightweight partition walls a backfill made of min. 30mm hardwood is needed
- Fixing set has to be determined according to conditions on site, is to be ordered separately

