

## Care Solutions · Cavere Care Chrome

Cavere Care Chrome Hanging seat

Article number: 9847381395

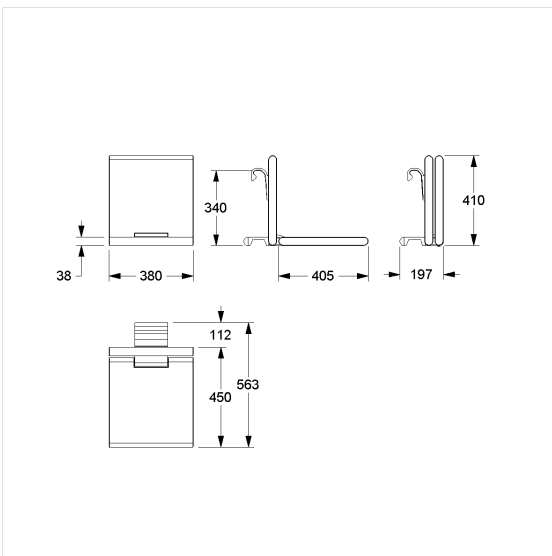
### Product image



### Technical specifications

Product group	7000
Product	Hanging seat
Length	380 mm
Height	406 mm
Width	563 mm
Material	aluminium, padded made of PUR integral foam
Surface	chrome finish
Colour	available in colours Chrome white (392) and Chrome metallic anthracite (395), padded colour anthracite
Loading	max. 150 kgs

### Technical drawing



### Product description

- Cavere Care as an award-winning product family with excellent design for all requirements
- for hanging in Cavere Care Chrome Shower handrails
- with adjustable brake
- locked in place in vertical position
- Pad with non-corrosive metal core throughout,
- retrofittable with armrest 7843100

