

## Care Solutions · Cavere Care

Cavere Care Shower handrail

Article number: 7484045095

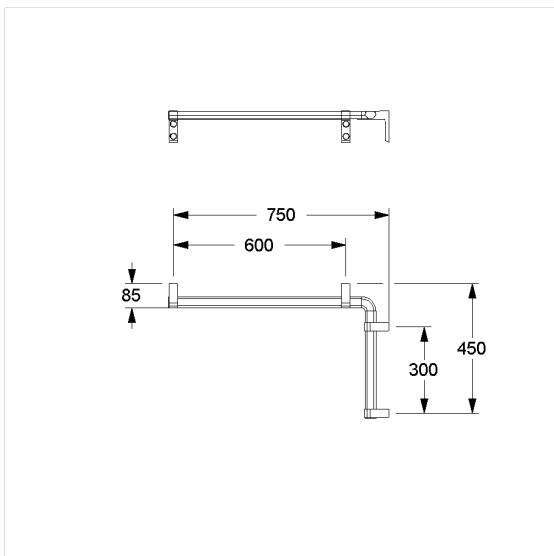
### Product image



### Technical specifications

|                   |  |
|-------------------|--|
| Product group     | 7000   |
| Product           | Shower handrail  |
| Axle dimension a1 | 450 mm   |
| Axle dimension a2 | 750 mm   |
| Fixing type       | L-support  |
| Fixing points     | 4 Piece  |
| Material          | aluminium  |
| Surface           | scratch-resistant powder coating with antibacterial protection (except 091 Carbon black) |
| Colour            | available in Cavere colours  |
| Version           | left   |
| Loading           | max. 150 kgs   |

### Technical drawing



### Product description

- Cavere Care as an award-winning product family with excellent design for all requirements
- ergonomic by trigonometric handle contour
- In case of lightweight partition walls a backfill made of min. 20mm hardwood is needed
- CE-certified
- meets the requirements of German standard DIN 18040 and Austrian standard ÖNORM B 1600
- supplied with stainless steel Torx screw  $s\varnothing 6 \times 70$  mm and plugs



Antibac

