

## Care Solutions

Care Operating handle,  
retrofitable

Article number: 0466450018

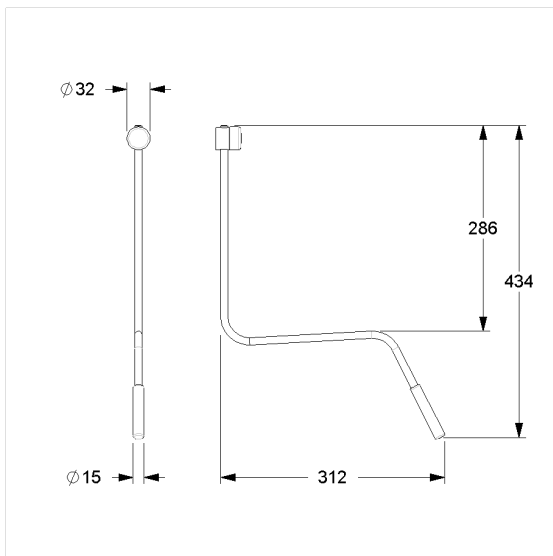
### Product image



### Technical specifications

Product group	2000
Product	Operating handle, retrofitable
Length	15 mm
Width	157 mm
Height	218 mm
Material	stainless steel, material No. 1.4401 (A4, AISI 316), Handle made of polyamide
Surface	brushed finish, Handle high gloss
Colour	available in nylon colours

### Technical drawing



### Product description

- lateral tilting with adjustable friction hold
- operating handle to be mounted on the backside of the adjustable mirror, left or right side possible
- suitable for wash basins mounted to walls projecting up to 150mm
- retrofitable for Inox Care adjustable mirrors
- retrofitable for Cavere Care adjustable mirrors
- retrofitable for Nylon Care adjustable mirrors

