

Care Solutions · Nylon Care 300

Nylon Care 300 Grab rail,
with shower head holder

Article number: 0300653018

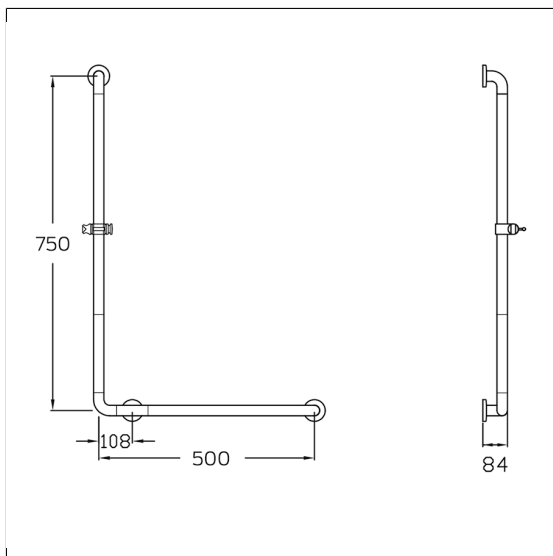
Product image



Technical specifications

Product group	0700
Product	Grab rail, with shower head holder
Angle	90 °
Axle dimension a1	500 mm
Axle dimension a3	750 mm
Fixing type	rosettes mounting
Fixing points	3 Piece
Diameter	34 mm
Material	polyamide
Surface	high gloss
Colour	available in nylon colours
Version	left and right
Loading	max. 175 kgs

Technical drawing



Product description

- Nylon Care - a well-trying and proven product family with a wide range of variants, three product series suiting many different requirements
- with non-corrosive steel core throughout
- Shower head holder with easy adjustment to any height and angle, self-adjusting clamp maintenance-free
- with long operating handle and multi-purpose side hook
- Shower head holder suitable for various hand shower types
- with Rose Gasket for sealing of the drilling points according to German standard DIN 18534-1
- with plastic rose Ø 70mm for concealed screw fixing and glass fiber reinforced plastic base
- In case of lightweight partition walls a backfill made of min. 20mm hardwood is needed
- produced in accordance with Regulation (EU) 2017/745 on medical devices
- meets the requirements of German standard DIN 18040 and Austrian standard ÖNORM B 1600

