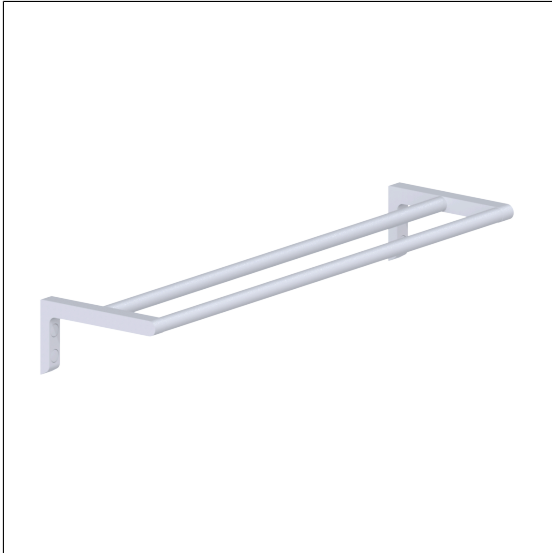


Care Solutions · Cavere Care Accessories

Cavere Care Towel holder

Article number: 7500310092

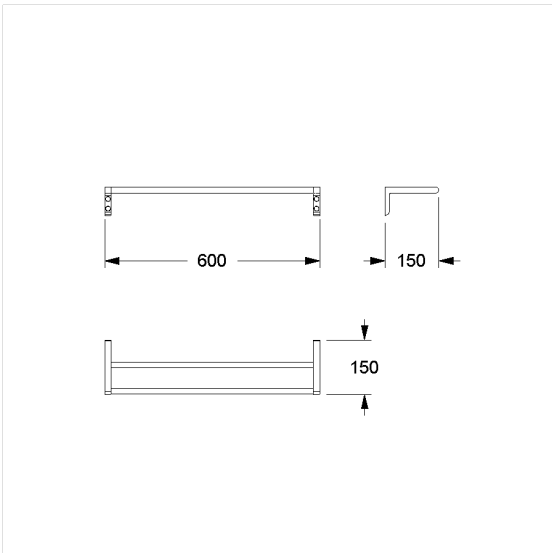
Product image



Technical specifications

Product group	7010
Product	Towel holder
Length	600 mm
Width	150 mm
Height	80 mm
Material	aluminium
Surface	scratch-resistant powder coating with antibacterial protection (except 091 Carbon black)
Colour	available in Cavere colours

Technical drawing



Product description

- Cavere Care as an award-winning product family with excellent design for all requirements
- towel holder with two bars
- for hanging and placing towels
- for wall mounting
- concealed screw fixing
- supplied with stainless steel Torx screws $\varnothing 5 \times 60$ mm and plugs



Antibac



091 092 093 095 096