

## Care Solutions · Inox Care

Inox Care Stool,  
with hygiene recess

Article number: 2053450008

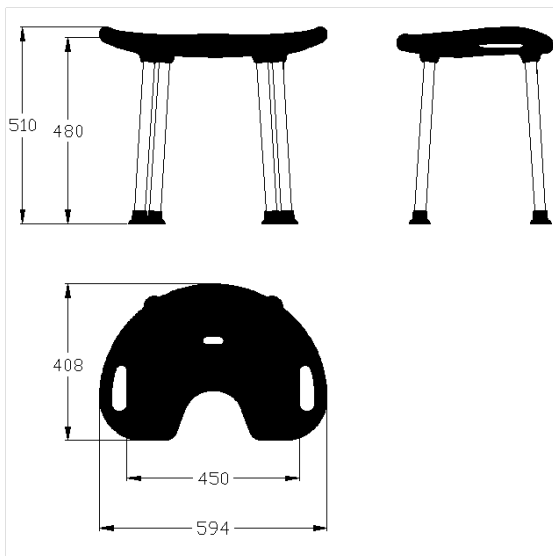
### Product image



### Technical specifications

Product group	5500
Product	Stool, with hygiene recess
Length	600 mm
Height	115 mm
Width	400 mm
Material	stainless steel, material No. 1.4301 (A2, AISI 304), padded made of PUR integral foam
Surface	high gloss
Colour	available in Mirror polished (008) and Satin (009), padded, colour black
Loading	max. 150 kgs

### Technical drawing



### Product description

- Inox Care is a durable and versatile stainless steel range that combines accessibility and hygiene in a modern design
- with lateral openings for grip
- seat with drain slot
- with non-slip rubber buffers in the same colour of the seat pad

