

## Care Solutions · Special Care Adipositas

Special Care Adipositas Lift-up support rail,  
with floor support

Article number: 0457650018

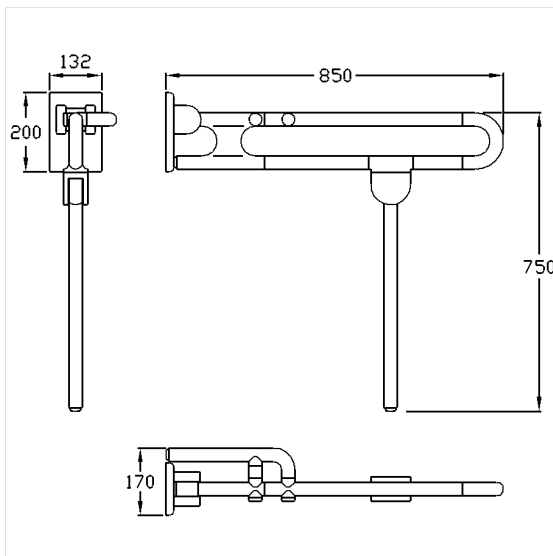
### Product image



### Technical specifications

Product group	2010
Product	Lift-up support rail, with floor support
Length	850 mm
Fixing height	750 mm
Diameter	34 mm
Material	polyamide
Surface	high gloss
Colour	available in nylon colours
Version	right
Loading	max. 300 kgs

### Technical drawing



### Product description

- Special Care Adipositas for increased load-bearing requirements
- with adjustable brake
- with durable maintenance-free, friction bearings
- with non-corrosive steel core throughout
- floor support with non-slip floor contact
- Floor support serves as a support in case of insufficient wall condition, thus the resulting forces on the wall fixing can be reduced
- concealed screw fixing
- In case of lightweight partition walls a backfill made of min. 20mm hardwood is needed
- retrofitting with Toilet roll holder, optional with antibacterial protection 4300665
- upon request available with E-Button
- CE-certified
- meets the requirements of German standard DIN 18040 and Austrian standard ÖNORM B 1600
- Fixing set has to be determined according to conditions on site, is to be ordered separately

