

Care Solutions · Verso Care

Verso Care Grab rail,
with shower head holder

Article number: 4500257067

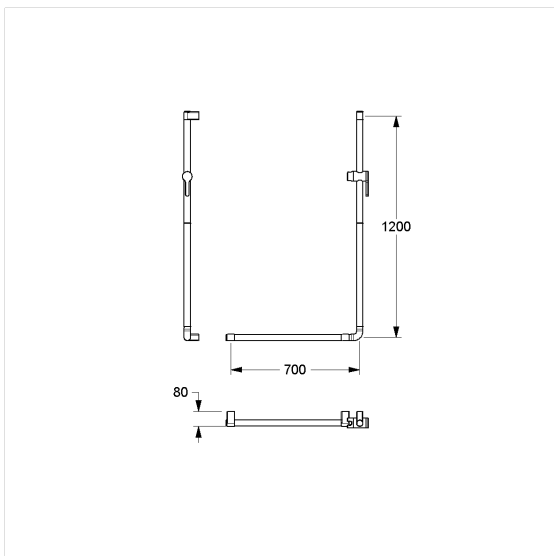
Product image



Technical specifications

Product group	3800
Product	Grab rail, with shower head holder
Angle	90 °
Axle dimension a1	700 mm
Axle dimension a3	1200 mm
Fixing type	single-point mounting
Fixing points	3 Piece
Diameter	34 mm
Material	polyamide
Surface	high gloss with antibacterial protection
Colour	available in colours Dark grey (018), White (019) and Manhattan (067)
Version	right
Loading	max. 175 kgs

Technical drawing



Product description

- Nylon Care - a well-tried and proven product family with a wide range of variants, three product series suiting many different requirements
- with non-corrosive steel core throughout
- Shower head holder with easy adjustment to any height and angle, self-adjusting clamp maintenance-free
- side-mounted operating handle for one-handed operation by turning
- Shower head holder suitable for various hand shower types
- concealed screw fixing
- single-point wall attachment with 3mm tolerance compensation (= ffl 1.5mm) for an easy and safe installation,
- In case of lightweight partition walls a backfill made of min. 30mm hardwood is needed
- produced in accordance with Regulation (EU) 2017/745 on medical devices
- CE-certified
- meets the requirements of German standard DIN 18040 and Austrian standard ÖNORM B 1600
- supplied with stainless steel hexagon head screws $\varnothing 6 \times 100$ mm according to DIN 571 and dowels



Antibac



018 019 067