

Care Solutions · Inox Care

Inox Care Lift-up support rail vario

Article number: 2050050009

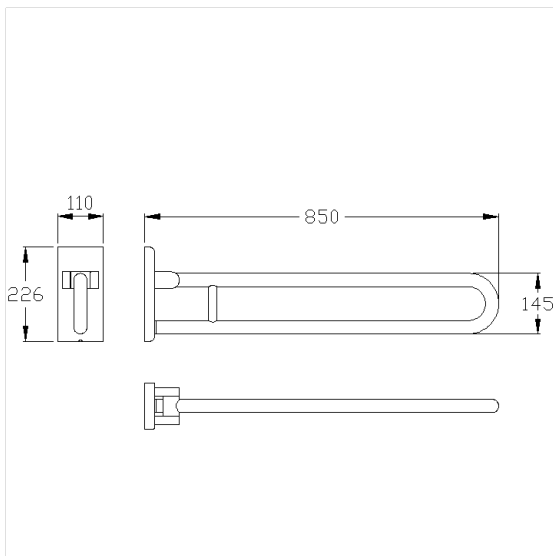
Product image



Technical specifications

Product group	5500
Product	Lift-up support rail
System	vario, with base plate
Length	850 mm
Diameter	32 mm
Material	stainless steel, material No. 1.4301 (A2, AISI 304)
Surface	brushed finish
Colour	Stainless steel (009)
Version	left and right
Loading	max. 125 kgs

Technical drawing



Product description

- Inox Care as a robust and timeless classic with bacteriostatic properties
- with adjustable brake
- with durable maintenance-free, friction bearings
- easy installation or removing by connecting / disconnecting to base plate
- concealed screw fixing
- In case of lightweight partition walls a backfill made of min. 20mm hardwood is needed
- retrofitting with Toilet roll holder 2050300
- retrofitting with remote control 0449010
- certified by TÜV PRODUCT SERVICE
- CE-certified
- meets the requirements of German standard DIN 18040 and Austrian standard ÖNORM B 1600
- Fixing set has to be determined according to conditions on site, is to be ordered separately
- in combination with Care shower guard rails 0787013 / 0787014 also can be used as shower guard rail



Vario



009