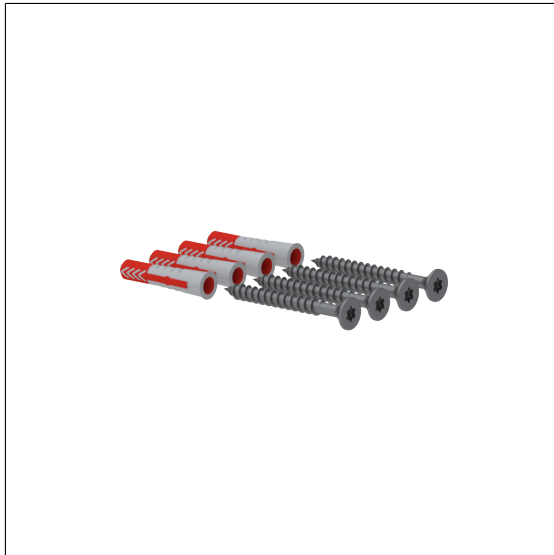


Care Fixing set,
for fixing on brickwork made of full brick

Article number: 7470030000

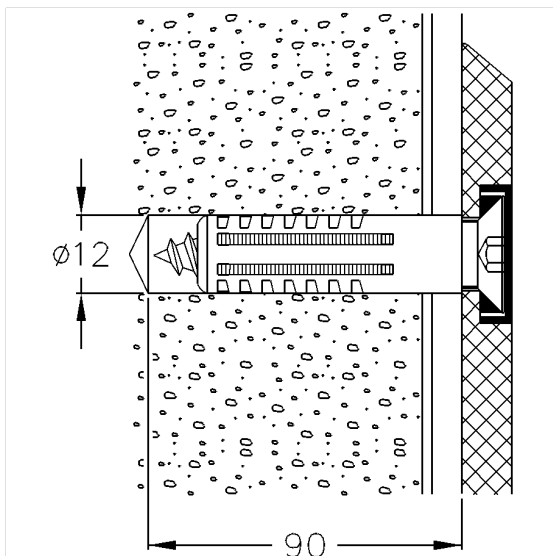
Product image



Technical specifications

Product group	7000
Product	Fixing set, for fixing on brickwork made of full brick
Type of wall	On brickwork made of full brick: concrete \geq B15, solid brick \geq Mz12, sand-lime brick \geq KS12, natural stone with compact grain
Material & scope of delivery	4 x countersunk wood screws \varnothing 10 x 90 T40, A2-AISI 304 4 x Duopower dowels \varnothing 12 x 60
Colour	Colourless (000)

Technical drawing



Product description

- suitable for:
 - Cavere Care and Cavere Care: wall-/lift-up support rails, base plate with cover plate blind, lift-up shower seat, shower guard rail and Backrest for for Lift-up support rails with E-Button, connection by cover plate blind
 - Inox Care wall-/lift-up support rails, base plate with cover plate blind and shower guard rail
 - Verso Care and Verso Care Duo wall-/lift-up support rails, base plate with cover plate blind
 - Verso Care shower guard rail
 - Ascento: Modular Seating Solution
- installation has to be carried out by professionals



000