

Care Solutions

Care Fixing set,
without injections cartridge

Article number: 0448880000

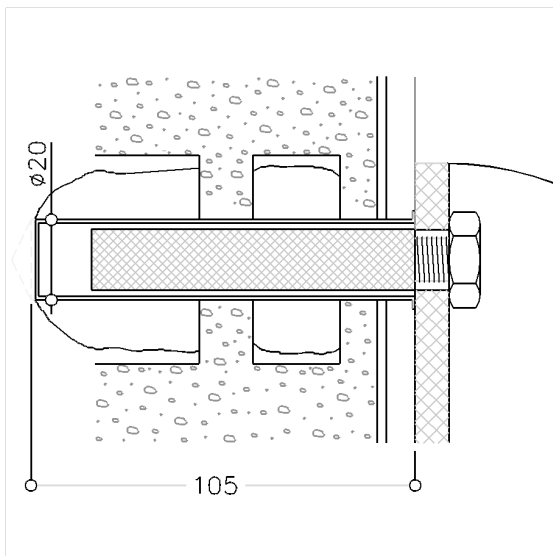
Product image



Technical specifications

Product group	2000
Product	Fixing set, without injections cartridge
Short name	MS 4.8 H 4
Material	polyamide
Type of wall	On brickwork made of perforated brick: perforated brick HLz ≥ 12, cavity brick KSL ≥ 12, checker brick ≥ Hbl4, Hbn4 other hollow brick materials concrete/ lightweight concrete, solid brick ≥ Mz12 sand-lime brick ≥ KS12, natural stone with compact grain solid pumice
Material & scope of delivery	4 x hexagon head screw M10 x 20, A4-AISI 316 4 x sieve sleeve Ø 20 x 100 4 x internal threaded steel sleeves Ø 15 x 75 / M10
Colour	Colourless (000)

Technical drawing



Product description

- suitable for:
Inox Care Lift-up shower seat
Nylon Care 300 Lift-up shower seat
Nylon Care 400 Lift-up shower seat, Lift-up shower seat with floor support
Special Care Adipositas Lift-up shower seat
- installation has to be carried out by professionals

