

## Care Solutions · Cavere Care Accessories

Cavere Care Walking aid holder

Article number: 7500410095

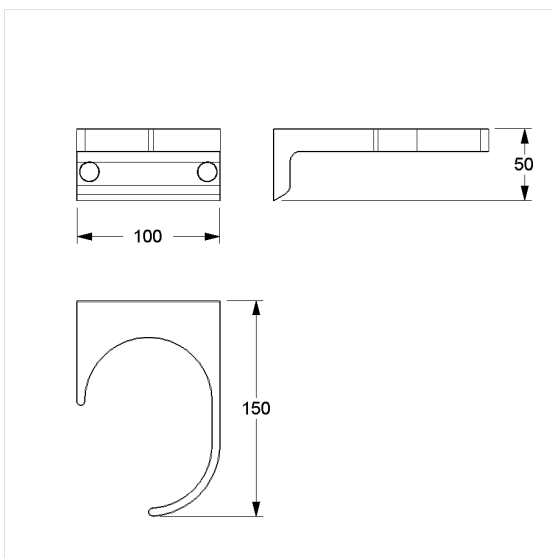
### Product image



### Technical specifications

Product group	7010
Product	Walking aid holder
Length	100 mm
Width	150 mm
Height	50 mm
Material	aluminium
Surface	scratch-resistant powder coating with antibacterial protection (except 091 Carbon black)
Colour	available in Cavere colours

### Technical drawing



### Product description

- Cavere Care as an award-winning product family with excellent design for all requirements
- for depositing walking aids
- for wall mounting
- concealed screw fixing
- supplied with stainless steel Torx screws  $\varnothing 5 \times 60$  mm and plugs



Antibac



091 092 093 095 096