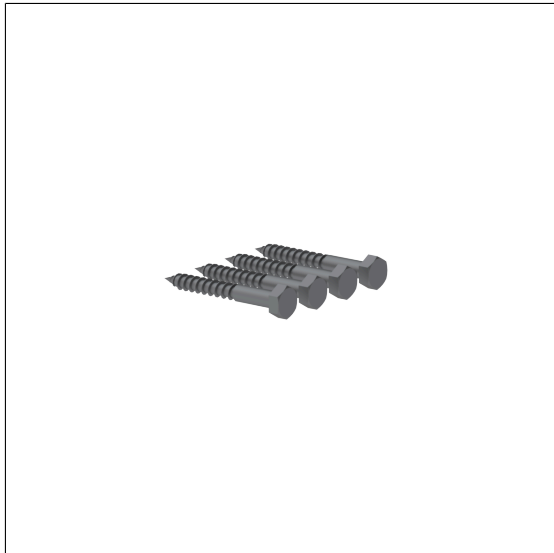


## Care Solutions

Care Fixing set

Article number: 0448950000

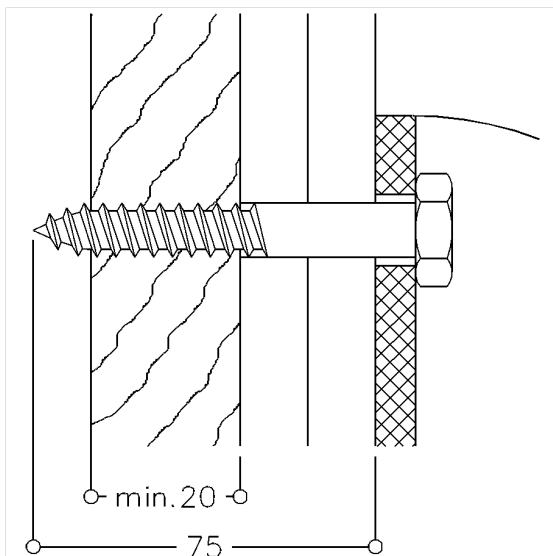
### Product image



### Technical specifications

Product group	2000
Product	Fixing set
Short name	MS 4.8 C 4
Material	polyamide
Type of wall	In front of the wall with panels and integrated mounting plate made of hardwood. Lightweight partition walls, made of gypsum, flake board and hardboard with a multilayer laminated wood back lining measuring at least 20mm thick, which must be adequately fixed to the supporting structure.
Material & scope of delivery	2 x hexagon head screw $\varnothing 10 \times 80$ SW17, A2-AISI 304
Colour	Colourless (000)

### Technical drawing



### Product description

- suitable for:
  - Inox Care Lift-up shower seat
  - Nylon Care 300 Lift-up shower seat
  - Nylon Care 400 Lift-up shower seat, Lift-up shower seat with floor support
  - Special Care Adipositas Lift-up shower seat
- installation has to be carried out by professionals



000