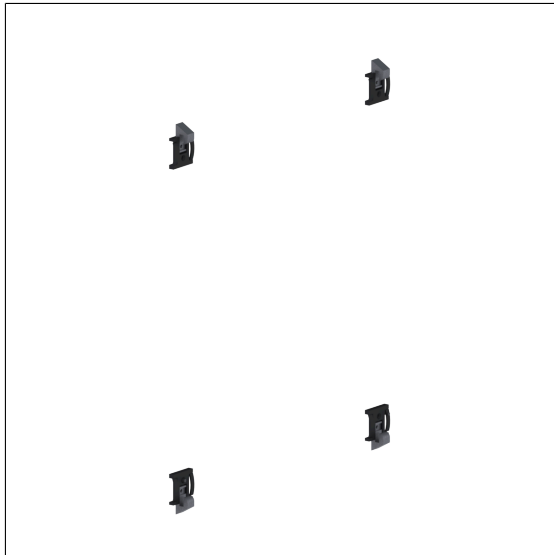


Care Solutions · Cavere Care Accessories

Cavere Care Mirror holders

Article number: 7500200095

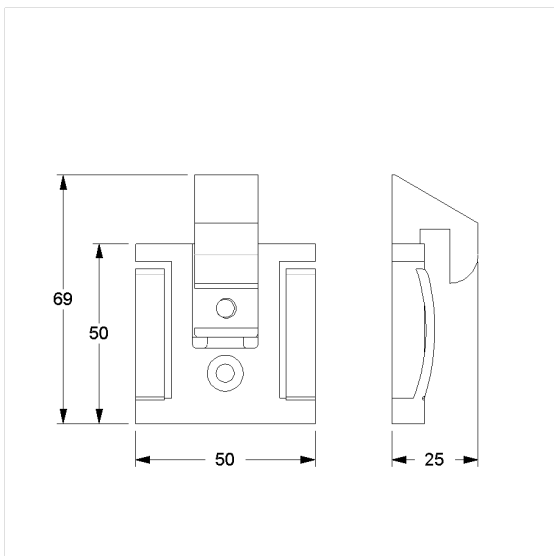
Product image



Technical specifications

| | |
|---------------|--|
| Product group | 7010 |
| Product | Mirror holders |
| Length | 50 mm |
| Width | 25 mm |
| Height | 69 mm |
| Material | aluminium |
| Surface | scratch-resistant powder coating with antibacterial protection (except 091 Carbon black) |
| Colour | available in Cavere colours |

Technical drawing



Product description

- Cavere Care as an award-winning product family with excellent design for all requirements
- for mirrors with a glass thickness 4 to 6 mm
- with prevention against sliding
- concealed screw fixing
- supplied with stainless steel Torx screws $\varnothing 5 \times 60$ mm and plugs
- packaging unit 4 pieces



Antibac



091 092 093 095 096