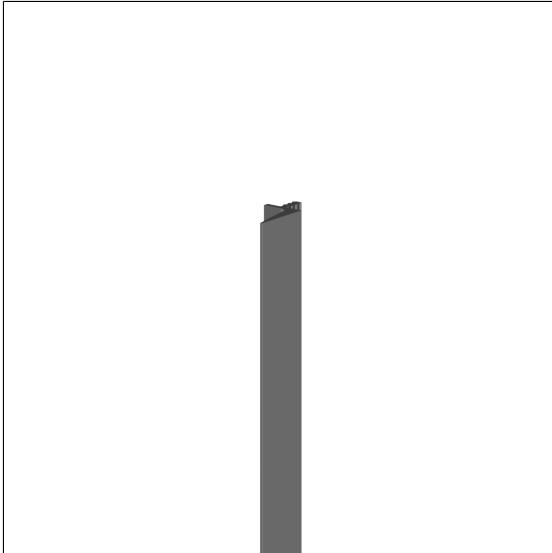


Care Anti-vision strip

Article number: 0289440016

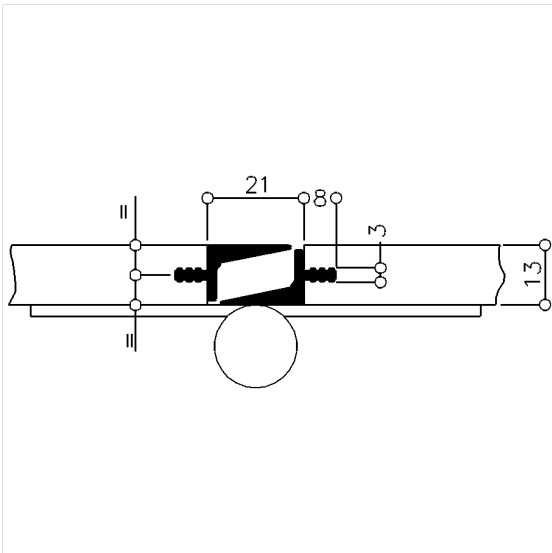
Product image



Technical specifications

Product group	2600
Product	Anti-vision strip
Short name	SSP 2050
Length	2050 mm
Width	12 mm
Height	25 mm
Material	Plastic
Colour	available in colours Black (016) and White (019)

Technical drawing



Product description

- Design partition solutions for doors and partitions made of HPL board material
- Anti-vision strip in the pivot-point area of the door prevents insight into the cabin
- are mounted on the hinge side of the door or panel
- for mounting two privacy profiles are needed
- can be shortened (length)
- are extruded from a hard and soft plastic in a special process, the hard area is used to fit into the face grooved panel and the soft area is used for noise damping and clamping protection, the groove requires 3 mm in width and 8 mm in depth
- self-adhesive, are hammered into the existing groove

