

Product data sheet

Care Solutions · Nylon Care 300

NORMBAU

PASSION FOR CARE

Nylon Care 300 Grab bar,
single piece

Article number: 0300633018

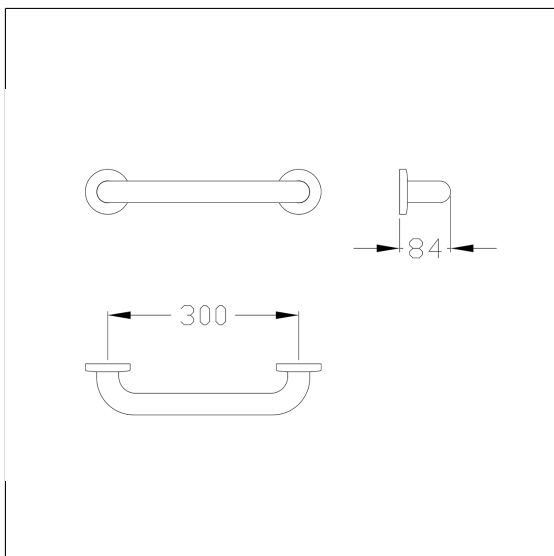
Product image



Technical specifications

Product group	0700
Product	Grab bar, single piece
Axle dimension a1	300 mm
Fixing type	rosettes mounting
Fixing points	2 Piece
Diameter	32 mm
Material	polyamide
Surface	high gloss
Colour	available in nylon colours
Version	left and right
Loading	max. 125 kgs

Technical drawing



Product description

- Nylon Care - a well-tried and proven product family with a wide range of variants, three product series suiting many different requirements
- with non-corrosive steel core throughout
- with Rose Gasket for sealing of the drilling points according to German standard DIN 18534-1
- with plastic rose \varnothing 70mm for concealed screw fixing and glass fiber reinforced plastic base
- In case of lightweight partition walls a backfill made of min. 20mm hardwood is needed
- CE-certified
- meets the requirements of German standard DIN 18040 and Austrian standard ÖNORM B 1600

