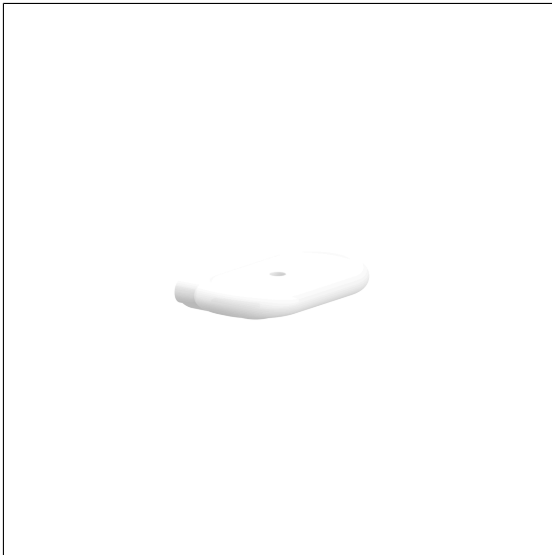


## Care Solutions · Nylon Care Accessories

Nylon Care Shelf,  
with drain hole

Article number: 0925210019

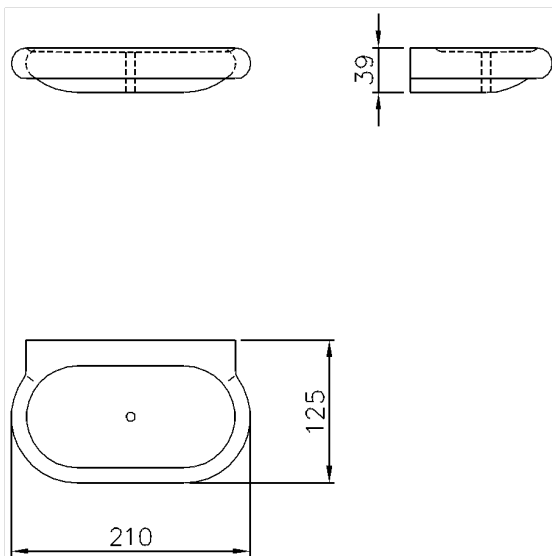
### Product image



### Technical specifications

Product group	0200
Product	Shelf, with drain hole
Length	210 mm
Width	125 mm
Height	39 mm
Material	polyamide
Surface	high gloss
Colour	available in nylon colours

### Technical drawing



### Product description

- Nylon Care - a well-tried and proven product family with a wide range of variants, three product series suiting many different requirements
- Removable for cleaning
- for wall mounting
- concealed screw fixing
- supplied with fixing material

