

## Care Solutions · Nylon Care 300

Nylon Care 300 Shower guard rail

Article number: 0300488018

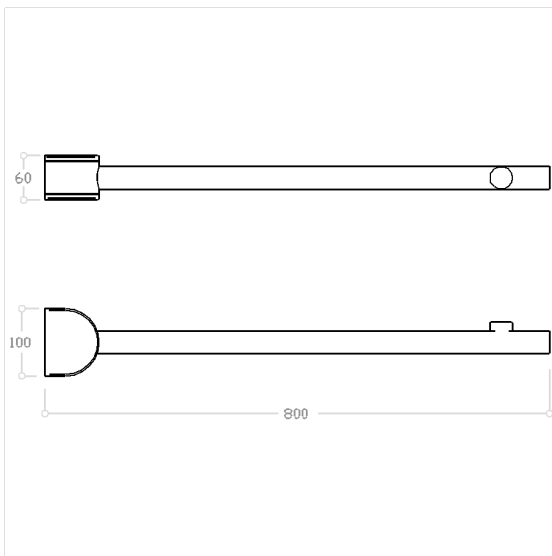
### Product image



### Technical specifications

Product group	0700
Product	Shower guard rail
Length	800 mm
Material	polyamide
Surface	high gloss
Diameter	34 mm
Colour	available in nylon colours

### Technical drawing



### Product description

- Nylon Care - a well-tried and proven product family with a wide range of variants, three product series suiting many different requirements
- with non-corrosive steel core throughout
- can be folded up
- locked in place in vertical position
- with adjustable brake
- with steel reinforced hinge
- concealed screw fixing
- for wall mounting
- not suitable as a support rail

