

## Care Solutions · Inox Care Accessories

Inox Care Drip tray

Article number: 2290037009

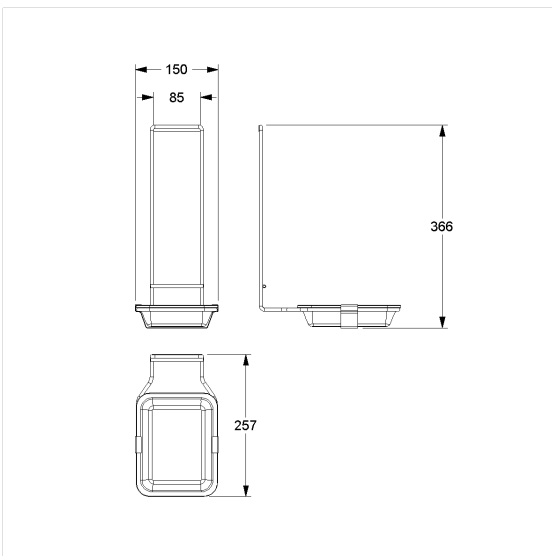
### Product image



### Technical specifications

|               |   |
|---------------|---|
| Product group | 5600  |
| Product       | Drip tray   |
| Length        | 260 mm  |
| Width         | 150 mm  |
| Height        | 370 mm  |
| Material      | stainless steel, material No. 1.4301 (A2, AISI 304) |
| Surface       | brushed finish                                      |
| Colour        | Stainless steel (009)                               |

### Technical drawing



### Product description

- Inox Care as a robust and timeless classic with bacteriostatic properties
- for Inox Care Disinfectant and soap dispenser
- serves as a drip tray for liquids
- Bowl with high breaking strenght
- gets mounted behind Dispenser



009