

Care Solutions · Inox Care Accessories

Inox Care Drip tray

Article number: 2290037009

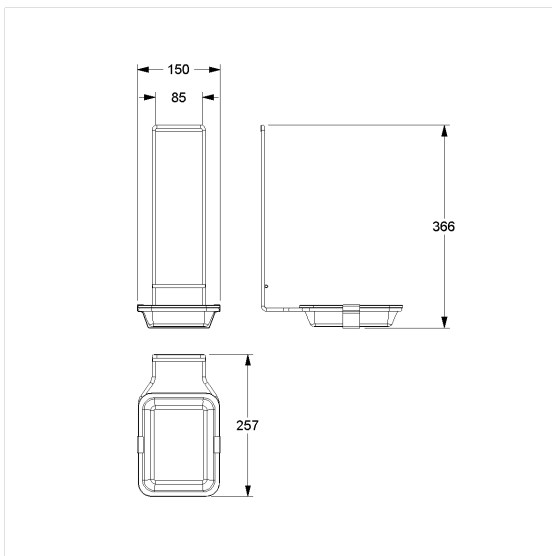
Product image



Technical specifications

Product group	5600
Product	Drip tray
Length	260 mm
Width	150 mm
Height	370 mm
Material	stainless steel, material No. 1.4301 (A2, AISI 304)
Surface	brushed finish
Colour	Stainless steel (009)

Technical drawing



Product description

- Inox Care as a robust and timeless classic with bacteriostatic properties
- for Inox Care Disinfectant and soap dispenser
- serves as a drip tray for liquids
- Bowl with high breaking strength
- gets mounted behind Dispenser



009