

Inox Care Lift-up support rail vario

Article number: 2050050009

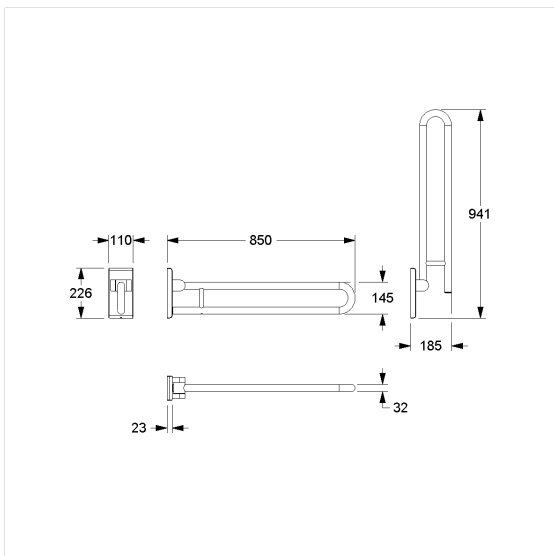
### Product image



### Technical specifications

Product group	5500
Product	Lift-up support rail
System	vario, with base plate
Length	850 mm
Diameter	32 mm
Material	stainless steel, material No. 1.4301 (A2, AISI 304)
Surface	brushed finish
Colour	available in Mirror polished (008) and Satin (009)
Version	left and right
Loading	max. 125kgs according to ISO17966:2016, statically tested up to 150kgs

### Technical drawing



### Product description

- Inox Care is a durable and versatile stainless steel range that combines accessibility and hygiene in a modern design
- with adjustable brake
- with durable maintenance-free, friction bearings
- space-saving thanks to compact design
- easy installation or removing by connecting / disconnecting to base plate
- concealed screw fixing
- sealing of the drilling points (DIN 18534-1) in conjunction with NORMBAU fixing sets 7470xxx
- In case of lightweight partition walls a backfill made of min. 30mm hardwood is needed
- retrofittable with toilet roll holder 2050300
- certified by TÜV PRODUCT SERVICE
- produced in accordance with Regulation (EU) 2017/745 on medical devices
- CE-certified
- meets the requirements of German standard DIN 18040 and Austrian standard ÖNORM B 1600
- Fixing set has to be determined according to conditions on site, is to be ordered separately



Vario



008 009