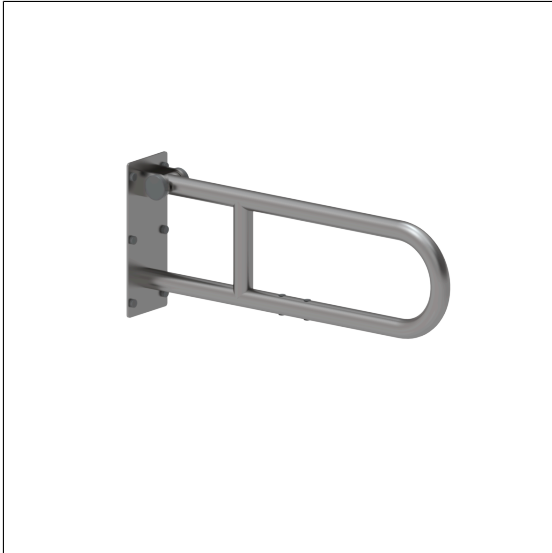


Care Solutions · Eco Care

Eco Care Lift-up support rail

Article number: 1447016009

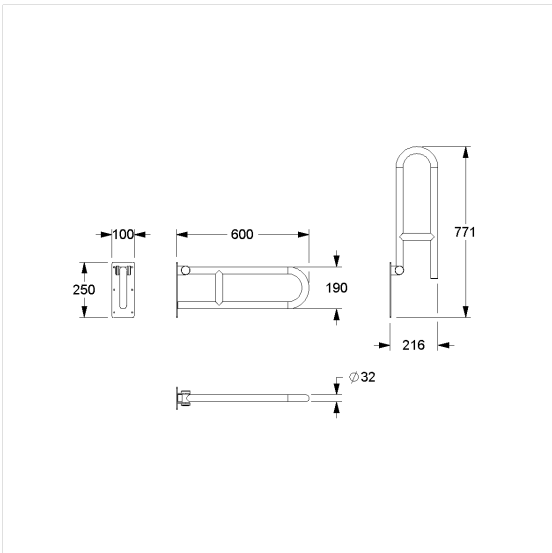
Product image



Technical specifications

Product group	3700
Product	Lift-up support rail
Length	600 mm
Diameter	32 mm
Material	stainless steel, material No. 1.4301 (A2, AISI 304)
Surface	brushed finish
Colour	Stainless steel (009)
Version	left and right
Loading	max. 100 kgs

Technical drawing



Product description

- Eco Care as solid and low-cost Care Solution
- with adjustable brake
- with two caps for concealed screw fixing
- In case of lightweight partition walls a backfill made of min. 20mm hardwood is needed
- retrofittable with toilet roll holder 1449210
- retrofittable with floor support 1449331 / 1449332 / 1449333, required for Lift-up support rails from length 850 mm



009