

## Care Solutions · Cavere Care

Cavere Care Lift-up support rail vario

Article number: 7447020095

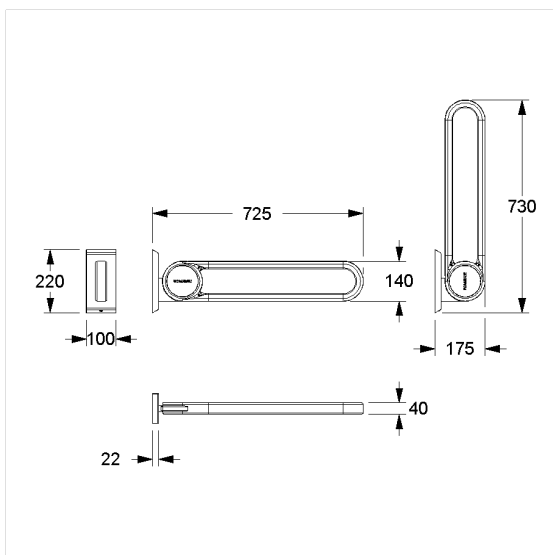
### Product image



### Technical specifications

|               |  |
|---------------|--|
| Product group | 7000   |
| Product       | Lift-up support rail   |
| System        | vario, with base plate   |
| Length        | 725 mm   |
| Material      | aluminium, base plate, made of stainless steel   |
| Surface       | scratch-resistant powder coating with antibacterial protection (except 091 Carbon black) |
| Colour        | available in Cavere colours  |
| Version       | left and right   |
| Loading       | max. 100 kgs   |

### Technical drawing



### Product description

- Cavere Care as an award-winning product family with excellent design for all requirements
- ergonomic by trigonometric handle contour
- with adjustable brake
- with durable maintenance-free, friction bearings
- easy installation or removing by connecting / disconnecting to base plate
- concealed screw fixing
- In case of lightweight partition walls a backfill made of min. 20mm hardwood is needed
- retrofitting with Toilet roll holder 7449110
- certified by TÜV PRODUCT SERVICE
- CE-certified
- meets the requirements of German standard DIN 18040 and Austrian standard ÖNORM B 1600
- Fixing set has to be determined according to conditions on site, is to be ordered separately



Antibac Vario



091 092 093 095 096