

Care Solutions

Care Fixing set,
for fixing on brickwork made of perforated brick (with
injectionscartridge)

Article number: 0448892000

Product image

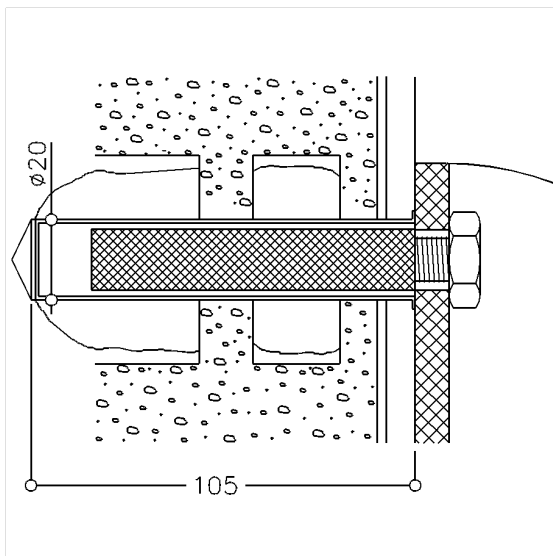
Inklusive Injektions-Kartusche:
UPAT – UMP 44-150 CX



Technical specifications

Product group	2000
Product	Fixing set, for fixing on brickwork made of perforated brick (with injectionscartridge)
Short name	MS 4.8 H 12
Type of wall	On brickwork made of perforated brick: perforated brick HLz ≥ 12, cavity brick KSL ≥ 12, checker brick ≥ Hbl4, Hbn4 other hollow brick materials concrete/ lightweight concrete, solid brick ≥ Mz12 sand-lime brick ≥ KS12, natural stone with compact grain solid pumice
Material & scope of delivery	2 x hexagon head screw M10 x 20, A4-AISI 316 2 x sieve sleeve Ø 20 x 100 2 x internal threaded steel sleeves Ø 15 x 75 / M10 1 x injection cartridge with composite mortar 145cm ³
Colour	Colourless (000)

Technical drawing



Product description

- suitable for: Verso Care Lift-up shower seat and Lift-up shower seat with floor support
- Attention: Product with expiry date
- installation has to be carried out by professionals
- the fixing set are allowed by building inspector



000