

## Care Solutions · Cavere Care

Cavere Care Backrest,  
for Lift-up support rails with E-Button, connection covered  
with mounting plate

Article number: 7841328091

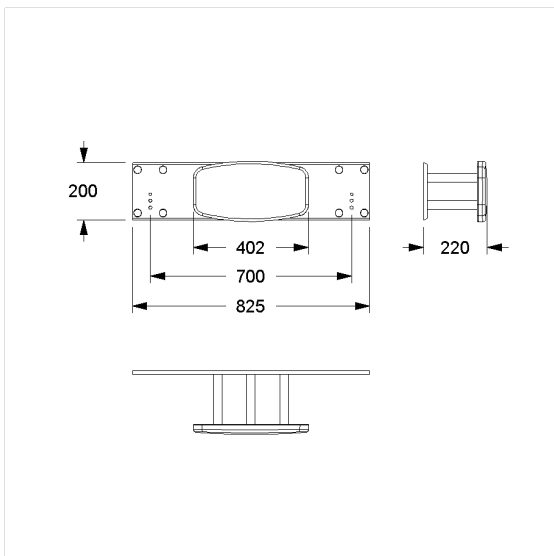
Product image



### Technical specifications

Product group	7000
Product	Backrest, for Lift-up support rails with E-Button, connection covered with mounting plate
Length	825 mm
Width	230 mm
Height	200 mm
Material	aluminium, padded made of PUR integral foam
Surface	scratch-resistant powder coating with antibacterial protection (except 091 Carbon black)
Colour	available in Cavere colours, padded, colour light grey

### Technical drawing



### Product description

- Cavere Care as an award-winning product family with excellent design for all requirements
- backrest mounted on mounting plate
- for fixing only of two Cavere Care lift-up support rails with E-Button, connection covered with mounting plate
- with notch for the cable
- fixing distance of 700mm between the lift-up support rails
- When ordering lift-up support rails with E-button the mounting plate will not be invoiced
- concealed screw fixing
- Fixing set has to be determined according to conditions on site, is to be ordered separately.

