

## Care Solutions

Cavere Care Wash basin,  
with hole against overflow, with tape hole

Article number: 7530650092

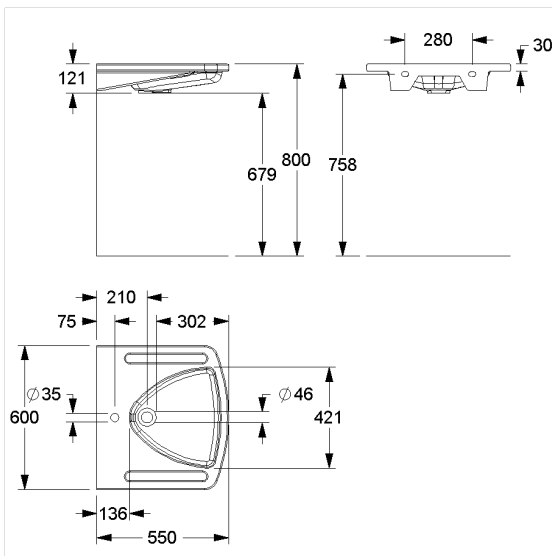
### Product image



### Technical specifications

Product group	7010
Product	Wash basin, with hole against overflow, with tape hole
Length	550 mm
Width	600 mm
Height	120 mm
Material	Mineral casting
Surface	glossy, non-porous
Loading	max. 150 kgs
Colour	Cavere White (092)

### Technical drawing



### Product description

- Cavere Care as an award-winning product family with excellent design for all requirements
- ergonomically shaped basin with wide front area
- with rounded corners and smooth surface, pleasant to put the arms on it
- with storage space for items
- with two grips, may also be used as towel holder
- for hanger bolt fixing
- Repair set for mending damages, available on request
- wheelchair access according to German standard DIN 18040 and Austrian standard ÖNORM B1600/1601
- supplied with overflow set
- Without tap and siphon



092