

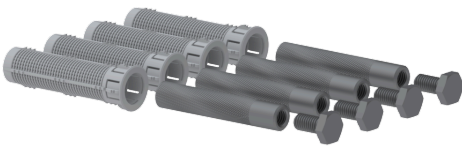
Care Solutions

Care Fixing set,
with injections cartridge

Article number: 0448890000

Product image

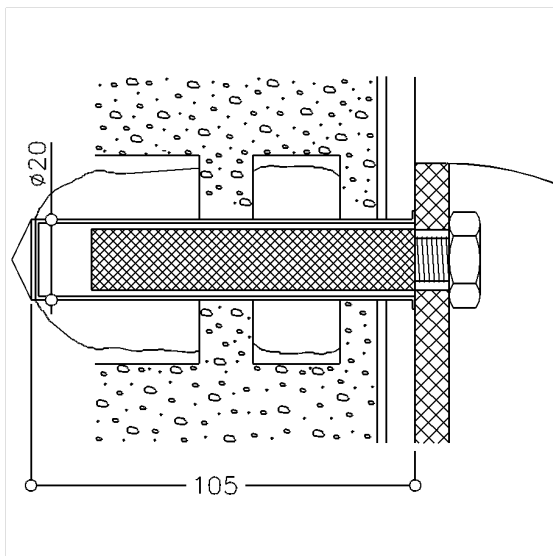
Inklusive Injektions-Kartusche:
UPAT – UMP 44-150 CX



Technical specifications

Product group	2000
Product	Fixing set, with injections cartridge
Short name	MS 4.8 H 14
Material	polyamide
Type of wall	On brickwork made of perforated brick: perforated brick HLz \geq 12, cavity brick KSL \geq 12, checker brick \geq Hbl4, Hbn4 other hollow brick materials concrete/ lightweight concrete, solid brick \geq Mz12 sand-lime brick \geq KS12, natural stone with compact grain solid pumice
Material & scope of delivery	4 x hexagon head screw 4 x sieve sleeve \varnothing 20 x 100 4 x internal threaded steel sleeves \varnothing 15 x 75 / M10 1 x injection cartridge with compound mortar 145cm ³
Colour	Colourless (000)

Technical drawing



Product description

- suitable for:
Inox Care Lift-up shower seat
Nylon Care 300 Lift-up shower seat
Nylon Care 400 Lift-up shower seat, Lift-up shower seat with floor support
Special Care Adipositas Lift-up shower seat
- Attention: Product with expiry date
- installation has to be carried out by professionals

