

Care Solutions · Inox Partition solutions

Inox Partition Door Lock,
with stainless steel coin button

Article number: 2290117009

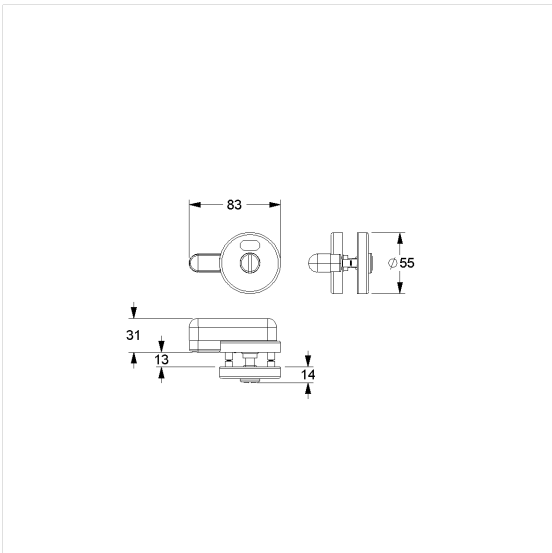
Product image



Technical specifications

Product group	6600
Product	Partition Door Lock, with stainless steel coin button
Short name	NT.TWR 84
Length	80 mm
Width	75 mm
Height	55 mm
Material	stainless steel, material No. 1.4401 (A4, AISI 316)
Surface	brushed finish
Colour	Stainless steel (009)

Technical drawing



Product description

- Design partition solutions for doors and partitions made of HPL board material
- Suitable for rebated, unrebated and unrebated overlapping doors, depending on the design
- Thumbturn 360° turnable, with 90° snap-in locking
- Supplied with 2 M4 countersunk screws
- Available for other door thicknesses on request



009