

Care Solutions · Verso Care Duo

Verso Care Duo Grab rail

Article number: 3500211912

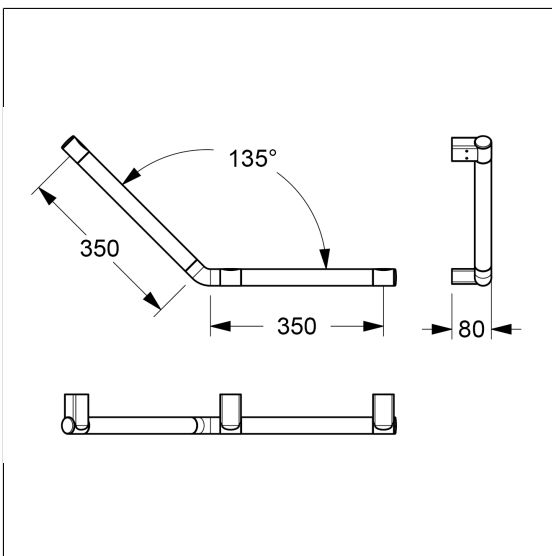
Product image



Technical specifications

Product group	3800
Product	Grab rail
Axle dimension a1	350 mm
Axle dimension a3	350 mm
Fixing type	single-point mounting
Fixing points	3 Piece
Diameter	34 mm
Material	polyamide
Surface	high gloss
Colour	Red-White (912)
Version	left
Loading	max. 175 kgs

Technical drawing



Product description

- Verso Care Duo facilitates orientation thanks to the high-contrast color combination
- with non-corrosive steel core throughout
- single-point wall attachment with 3mm tolerance compensation (= ffl 1.5mm) for an easy and safe installation,
- concealed screw fixing
- In case of lightweight partition walls a backfill made of min. 30mm hardwood is needed
- retrofitting with Toilet roll holder, optional with antibacterial protection 4300665
- CE-certified
- supplied with stainless steel hexagon head screws $\varnothing 6 \times 100$ mm according to DIN 571 and dowels



912