

Eco Care Grab rail

Article number: 1464320019

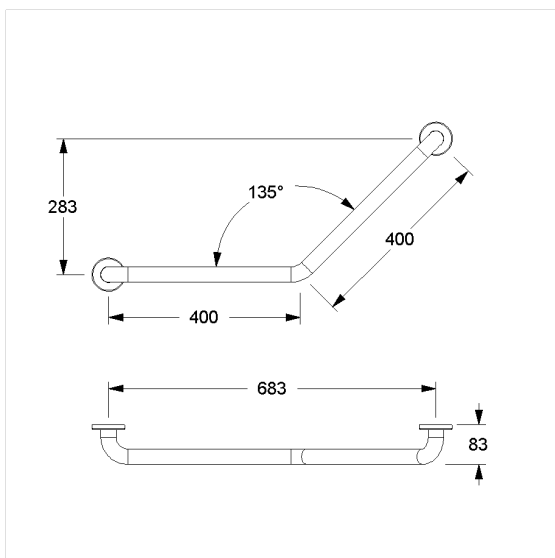
Product image



Technical specifications

Product group	3700
Product	Grab rail
Angle	135 °
Axle dimension a1	400 mm
Axle dimension a3	400 mm
Fixing type	rosettes mounting
Fixing points	2 Piece
Diameter	32 mm
Material	stainless steel, material No. 1.4301 (A2, AISI 304)
Surface	scratch-resistant powder coating with antibacterial protection
Colour	White (019)
Version	left and right
Loading	max. 125 kgs

Technical drawing



Product description

- Eco Care as solid and low-cost Care Solution
- with plastic rose \varnothing 70mm for concealed screw fixing and glass fiber reinforced plastic base
- In case of lightweight partition walls a backfill made of min. 20mm hardwood is needed
- supplied with stainless steel Torx screw $s\varnothing$ 6 x 70 mm and plugs



Antibac



019