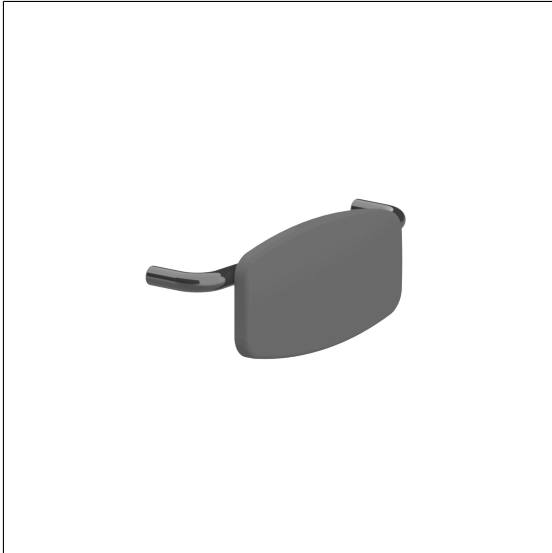


Care Solutions

Nylon Care Backrest

Article number: 0300416016

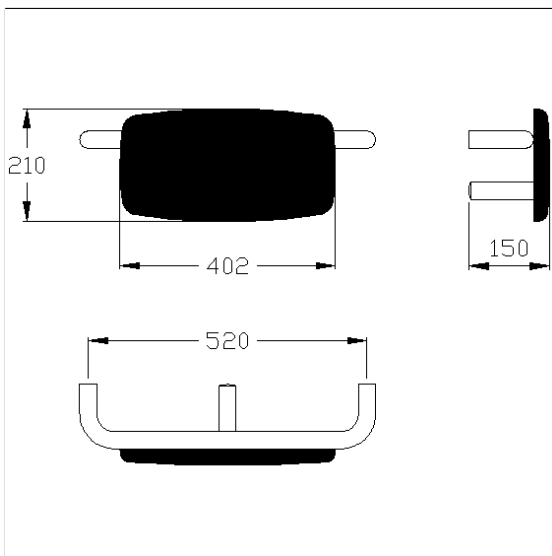
Product image



Technical specifications

Product group	0700
Product	Backrest
Length	550 mm
Width	208 mm
Height	165 mm
Diameter	32 mm
Material	stainless steel, material No. 1.4301 (A2, AISI 304), padded made of PUR integral foam
Surface	scratch-resistant powder coating
Colour	available in colours Black (016), Dark grey (018), White (019) and Manhattan (067), padded, colour black

Technical drawing



Product description

- Nylon Care - a well-tried and proven product family with a wide range of variants, three product series suiting many different requirements
- without rosettes
- concealed screw fixing
- with grub screw from bottom
- meets the requirements of German standard DIN 18040 and Austrian standard ÖNORM B 1600
- supplied with suitable fixing material for front-wall installation

