

Care Solutions · Inox Care

Inox Care Base plate vario,
for Lift-up support rails with E-Button, connection covered
with mounting plate

Article number: 2050257000

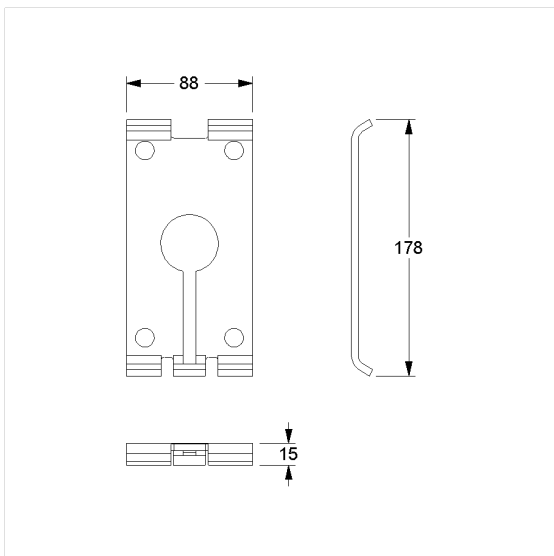
Product image



Technical specifications

Product group	5500
Product	Base plate, for Lift-up support rails with E-Button, connection covered with mounting plate
Length	88 mm
Width	15 mm
Height	178 mm
Material	stainless steel, material No. 1.4301 (A2, AISI 304)
Surface	brushed finish
Colour	Colourless (000)

Technical drawing



Product description

- Inox Care as a robust and timeless classic with bacteriostatic properties
- only for lift-up support rails without base plate, with E-button vario, connection covered with mounting plate
- this item is already included in vario products with a base plate
- Fixing set has to be determined according to conditions on site, is to be ordered separately



Vario



000