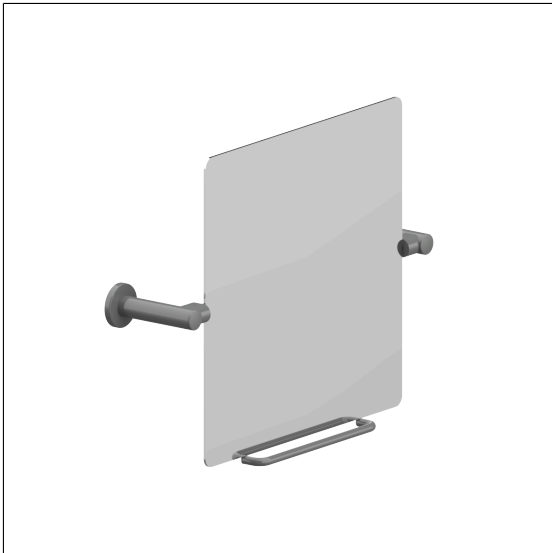


## Care Solutions · Nylon Care 400

Nylon Care 400 Hygiene bag dispenser

Article number: 0466110018

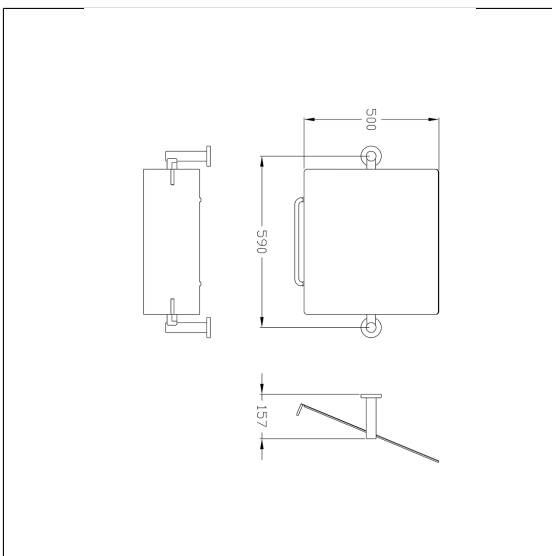
### Product image



### Technical specifications

Product group	2000
Product	Hygiene bag dispenser
Length	660 mm
Width	153 mm
Height	520 mm
Glass thickness	4 mm
Material	polyamide, mirror made of crystal glass
Surface	high gloss
Colour	available in nylon colours

### Technical drawing



### Product description

- Nylon Care - a well-trying and proven product family with a wide range of variants, three product series suiting many different requirements
- mirror 500 x 500mm with cut edges and rounded corners, mounted on steel base plate
- with plastic rose  $\varnothing$  70mm for concealed screw fixing
- retrofitting with Care mirror lamp 0300669 und 0300666
- retrofitting with Care operating handle 0466450, optional with antibacterial protection 4466450
- supplied with stainless steel Torx screw  $s\varnothing$  6 x 70 mm and plugs

