

Care Solutions · Cavere Care

Cavere Care Shower head rail,
movable

Article number: 7488110095

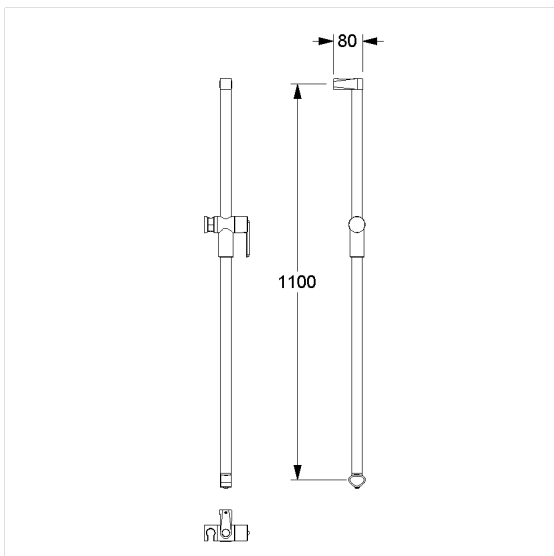
Product image



Technical specifications

Product group	7000
Product	Shower head rail, movable
Fixing type	single-point mounting
Fixing points	1 Piece
Axle dimension a1	1100 mm
Material	aluminium
Surface	scratch-resistant powder coating with antibacterial protection (except 091 Carbon black)
Version	left and right
Colour	available in Cavere colours
Loading	max. 100 kgs

Technical drawing



Product description

- Cavere Care as an award-winning product family with excellent design for all requirements
- for retrofitting to Cavere Care shower handrails
- Shower head holder with easy adjustment to any height and angle, self-adjusting clamp maintenance-free
- side-mounted operating handle for one-handed operation without turning,
- Shower head holder with plastic insert, suitable for various hand shower types
- single-point wall attachment with 3mm tolerance compensation (= ffl 1.5mm) for an easy and safe installation,
- concealed screw fixing
- In case of lightweight partition walls a backfill made of min. 30mm hardwood is needed
- CE-certified
- supplied with stainless steel hexagon head screws $\varnothing 6 \times 100$ mm according to DIN 571 and dowels



Antibac



091 092 093 095 096