

Care Solutions · Cavere Care Accessories

Cavere Care Soap dispenser

Article number: 7500461095

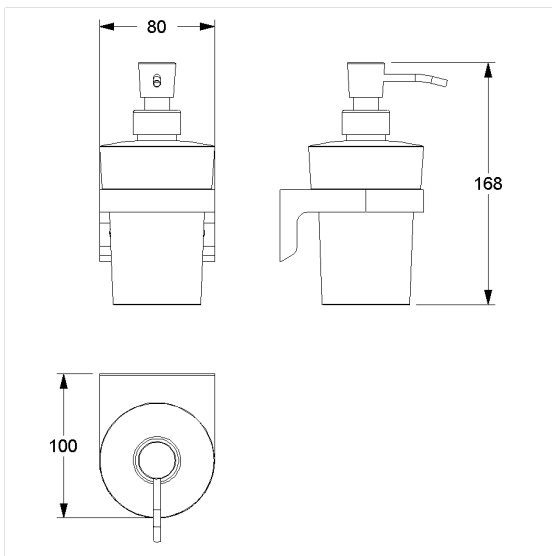
Product image



Technical specifications

| | |
|---------------|----------------------------------|
| Product group | 7010 |
| Product | Soap dispenser |
| Length | 168 mm |
| Width | 80 mm |
| Height | 100 mm |
| Capacity | 0.2 l |
| Material | glass, bracket made of aluminium |
| Surface | satined |
| Colour | available in Cavere colours |

Technical drawing



Product description

- Cavere Care as an award-winning product family with excellent design for all requirements
- pump head made of chromium-plated metal
- Soap dispenser can be removed for cleaning
- for wall mounting
- supplied with stainless steel Torx screws $\varnothing 5 \times 60$ mm and plugs



Antibac



091 092 093 095 096